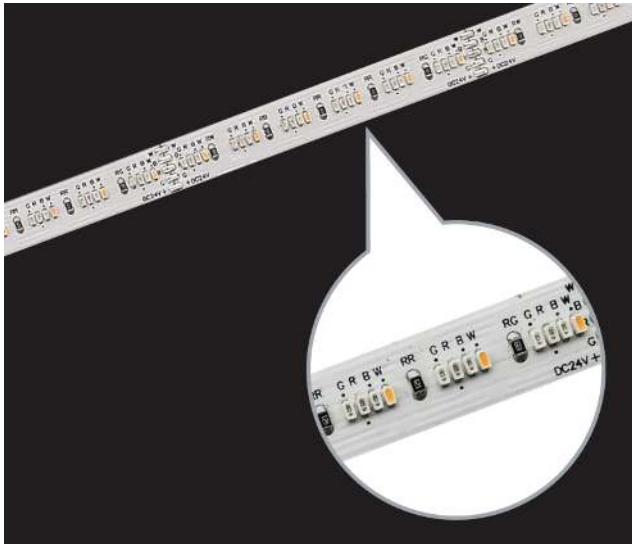


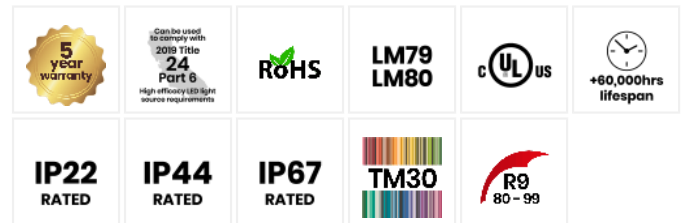
PROJECT NAME

TYPE

QTY

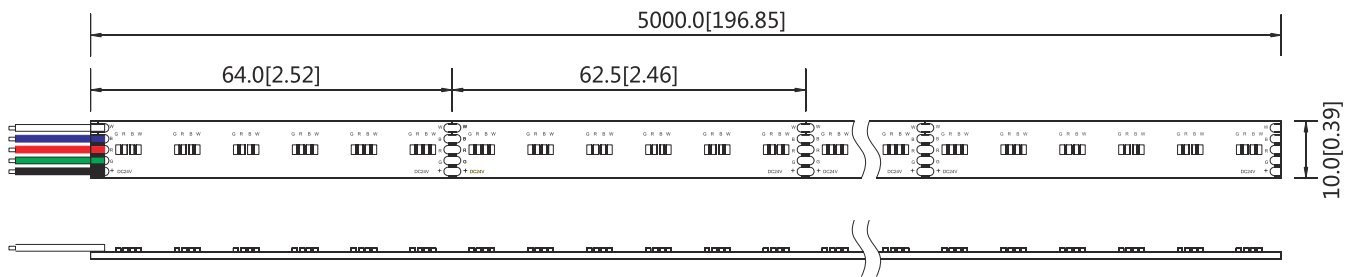


CV-24V-15.36W-RGBW-384(2110)



CV-24V-15.36W-RGBW-384(2110) DRAWING

Unit:mm



Model No.	Light Color	Color Temperature/ Wavelength(K/nm)	Beam Angle	Typical Luminous Flux(Lm/m)	Ra	Efficacy (Lm/W)	Voltage (V DC)	Power (W/m)
CV-24V-15.36W-RGBW-384(2110)	R	620-625	120°	48	--	12.5	24V	3.84
	G	460-470	120°	330	--	17.7	24V	3.84
	B	515-520	120°	68	--	86	24V	3.84
	R+G+B	100000	120°	435	--	38	24V	11.52
	W	3000	120°	343	90+	89	24V	3.84
	R+G+B+W	12000	120°	756	70+	49	24V	15.36

PROJECT NAME

TYPE

QTY

Model No.	CV-24V-15.36W-RGBW-384(2110)				
Working Length(m)	1	3	5	8	10
Head Voltage(DC V)	23.94	23.85	23.75	23.72	23.68
Tail Voltage(DC V)	23.71	22.17	19.65	17.71	16.66
Voltage Attenuation Rate(%)	0.96	7.04	17.26	25.34	29.65
Head Current (mA)	40.92	40.91	35.32	40.46	40.34
Tail Current (mA)	39.81	32.83	21.23	13.43	9.43
Current Attenuation Rate(%)	2.71	19.75	39.89	66.81	76.62
Working Power (W)	15.36	42.48	44.88	68.16	72.24
Recommended Power Supply Configuration(W)	18	50	55	85	90
Power Supply Mode	Single Feed				

Amplifier power supply rated power (W): P
 Product rated power (W): P(strip)
 Amplifier load:M(pcs)
 Product max run: MAX

$$M = \frac{P \times 0.8}{P_{(strip)} \times MAX}$$

For example: the product is MN2110-280-24-CW, P(strip)=5W/m, the max run MAX=10m, the power supply is 400W,

Amplifier load:

$$M = \frac{P \times 0.8}{P_{(strip)} \times MAX} = \frac{400 \times 0.8}{5 \times 10} \doteq 6(\text{pcs})$$

Note:

- 1.The controller's power supply must be consistent with the controller's power requirements.
- 2.The amplifier must be added to drive the product if the controller is more than 20 meters away from the product, see above.
- 3.The sample above powered in single-feed

NOTE:

1. Test environment temperature : 25±2°C.
2. Figures above are typical figure Actual figures could be different with typical figures, and the data is subject to change without notice.
3. Luminous flux above is single-color single-light tested result
4. Different color temperature or wavelength will make luminous flux different.
5. Max run is in single feed
6. Max run refers to operating length at UL class II @100W.24V.
7. Power tolerance within ±10
8. Cutting marks see profile drawing below



TOLL FREE 1 866 586 3692
 TEL. 514 286 0227
 info@lumenwarm.com

OFFICE AND SHOWROOM
 2022 Lavoisier Street, Suite 208, Quebec City, QC
 G1N 4L5, Canada

LAST UPDATE
 31 | 03 | 2020

PROJECT NAME

TYPE

QTY

ORDERING OPTIONS

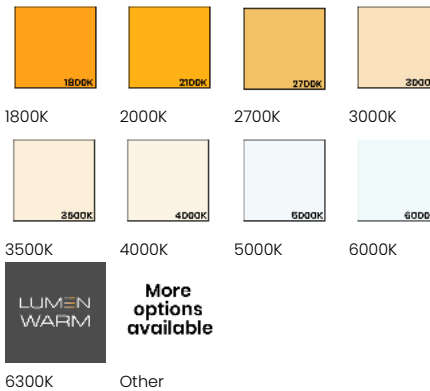
CV-24V-15.36W-RGBW-384(2110)

LENGTH



5m 25m Custom

COLOUR TEMPERATURE



IP RATING

IP20 **IP44** **IP65** **IP67**
 RATED RATED RATED RATED

IP20 IP44 IP65 IP67

PROJECT NAME

TYPE

QTY

96W INTELLIGENT DRIVER

CONSTANT VOLTAGE

ACTIVE PFC SAFETY PROTECTION



Part No.	Dimming Input	Output Channel	P out(W)	V out(DC)	I out(mA)	ta°C	tc°C	λ max. Power Factor	η max. Efficiency							
LWDC-2305-12-100CVF	DALI&AC PUSH	4 CH	100	12	8.33A max./CH, 1CH+2CH+3CH+4CH=8.33A	-20...+45	90	>0.98	>91%							
LWDC-2309-12-100CVF	DALI DT8															
LWDC-1009-12-100CVF	RF&PUSH LV															
LWDC-2007-12-100CVF	0/1-10V															
LWDC-2106-12-100CVF	DMX512															
LWDC-2108-12-100CVF	DMX512 & RDM															
LWDC-ZG9105-12-100CVF	ZigBee															
LWDC-ZV9105-12-100CVF	Z-Wave															
LWDC-BL9105-12-100CVF	Bluetooth															
LWDC-KNX9512-12-100CVF	KNX															
LWDC-2305-24-96CVF	DALI&AC PUSH									96	24	4A max./CH, 1CH+2CH+3CH+4CH=4.1A	-20...+45	90	>0.98	>91%
LWDC-2309-24-96CVF	DALI DT8															
LWDC-1009-24-96CVF	RF&PUSH LV															
LWDC-2007-24-96CVF	0/1-10V															
LWDC-2106-24-96CVF	DMX512															
LWDC-2108-24-96CVF	DMX512 & RDM															
LWDC-ZG9105-24-96CVF	ZigBee															
LWDC-ZV9105-24-96CVF	Z-Wave															
LWDC-BL9105-24-96CVF	Bluetooth															
LWDC-KNX9512-24-96CVF	KNX															

Rate Voltage

100-277V (277V~for North America only)

Frequency

50...60 Hz

AC Operation range

90...305 V

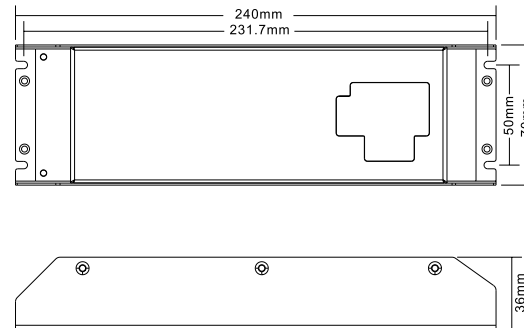
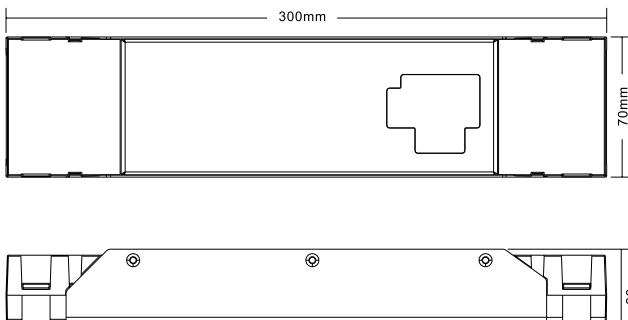
Power

0...100W

FEATURES

- IP20 independent isolated driver, for indoor use
- 4 channels constant current output
- Different intelligent control interfaces optional: DALI, DMX&RDM, RF, 0/1-10V, ZigBee, Z-Wave, Bluetooth, KNX
- Smooth and deep dimming to 0.1%
- Supplied with terminal cover and cable retainer
- Built-in active PFC function
- Class II protection against electric shock for direct or indirect contact
- SELV compliant
- Protections:
 - against overheating and short circuits;
 - against mains voltage spikes;
 - against overloads;
- Suitable for use on normally flammable surfaces
- Withstand voltage: I/P-O/P: 3.75KVAC
- Surge immunity Line-Line 1KV

96W INTELLIGENT DRIVER



DIFFERENT WAYS OF CONTROL

Part No.	Features
LWDC-2305-12-100CVF LWDC-2305-24-96CVF DALI dimmable driver	<ul style="list-style-type: none"> Built-in DALI/PUSH interface, DALI-2 certified DT6 device Compatible with universal DALI masters that support DT6 commands Error report function
LWDC-2309-12-100CVF LWDC-2309-24-96CVF DALI Dt8 dimmable driver	<ul style="list-style-type: none"> Built-in DALI interface, DALI certified DT8 device Compatible with universal DALI masters that support DT8 commands Error report function
LWDC-1009-12-100CVF LWDC-1009-24-96CVF RF dimmable driver	<ul style="list-style-type: none"> Compatible with a variety of RF remotes Push dim function available while connected with a push switch Can be WiFi controlled while working with a WiFi-RF converter
LWDC-2007-12-100CVF LWDC-2007-24-96CVF 0/1-10V dimmable driver	<ul style="list-style-type: none"> Built-in 0/1-10V interface, 1 channel 0/1-10V signal input for single color Compatible with universal 0/1-10V signal
LWDC-2106-12-100CVF LWDC-2106-24-96CVF DMX dimmable driver	<ul style="list-style-type: none"> Built-in DMX512 interface, DMX address and channel manually settable PWM digital dimming, logarithmic or linear dimming curve selectable Input protocols: DMX512(2008), DMX512-A
LWDC-2108-12-100CVF LWDC-2108-24-96CVF DMX&RDM dimmable driver	<ul style="list-style-type: none"> Built-in DMX dimming interface PWM digital dimming, logarithmic or linear dimming curve selectable Enable to set DMX address, DMX channel quantity, PWM output resolution (8 bit or 16 bit) Enable to set PWM output frequency, GAMMA ray dimming curve value and DMX decoding mode DMX512(2008), DMX512-A and RDM V1.0 (E1.20 – 2006 ESTA Standard)
LWDC-ZG9105-12-100CVF LWDC-ZG9105-24-96CVF ZigBee dimmable driver	<ul style="list-style-type: none"> ZigBee certified lighting device based on ZigBee 3.0 ZigBee end device that supports Touchlink commissioning Can directly pair to a compatible ZigBee remote via Touchlink without coordinator Supports find and bind mode to bind a ZigBee remote directly without coordinator Compatible with universal ZigBee gateway products Compatible with universal single color ZigBee remotes
LWDC-ZV9105-12-100CVF LWDC-ZV9105-24-96CVF Z-Wave dimmable driver	<ul style="list-style-type: none"> Z-Wave certified and Z-Wave Plus enabled slave controller Compatible with universal Z-Wave primary controller and gateway products Compatible with a variety of Z-Wave controllers
LWDC-BL9105-12-100CVF LWDC-BL9105-24-96CVF Bluetooth dimmable driver	<ul style="list-style-type: none"> Compatible with Bluetooth 4.0 version or above Compatible with universal Bluetooth primary controller and gateway products Compatible with a variety of Bluetooth controllers
LWDC-KNX9512-12-100CVF LWDC-KNX9512-24-96CVF KNX dimmable driver	<ul style="list-style-type: none"> KNX certified LED dimming actuator with power supply 2 in 1, KNX/EIB bus connecting terminal Support Physical Address and Group Address Relative Dimming Control, Absolute Dimming Control, Scene Control, On/Off Switching Commission and Project Design with ETS4