

Project name

Type

QTY

CASCADE 45W



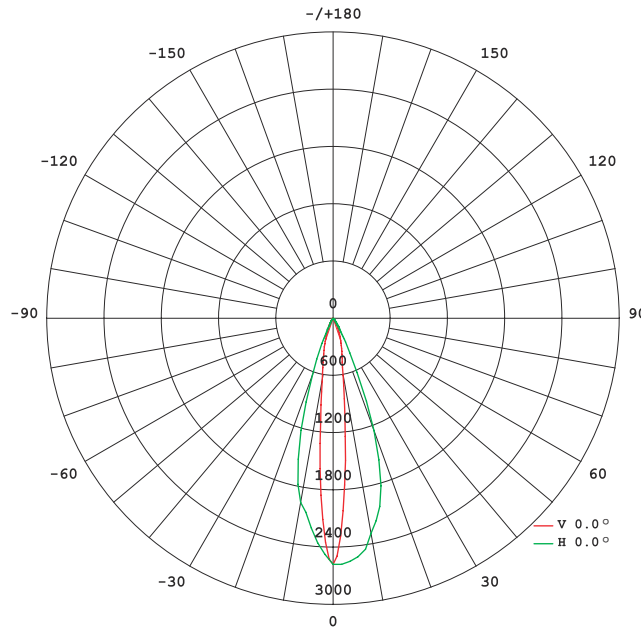
**IP65
RATED**



CCT	Colour Change RGBW (W = 30K OR 40K)
INPUT	100VAC to 240VAC
WATTAGE	45W
LED QUANTITY	16
OPTICS	15° / 30° / 45° / 15°*35°
OPERATING TEMPERATURES	-20°C to 40°C
DIMENSIONS	L340*W184*H55mm
MATERIAL	Aluminum Alloy
FINISH COLOR	White

PHOTOMETRICS DATA

CANDELA DISTRIBUTION



Project name

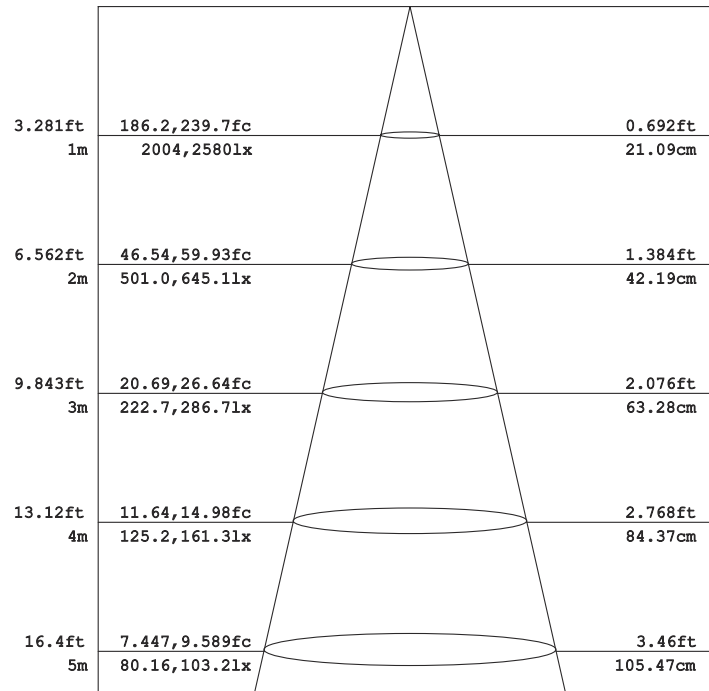
Type

QTY

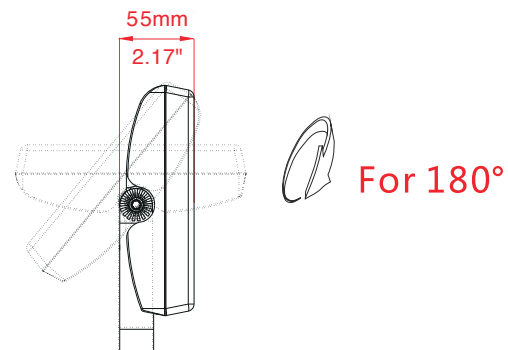
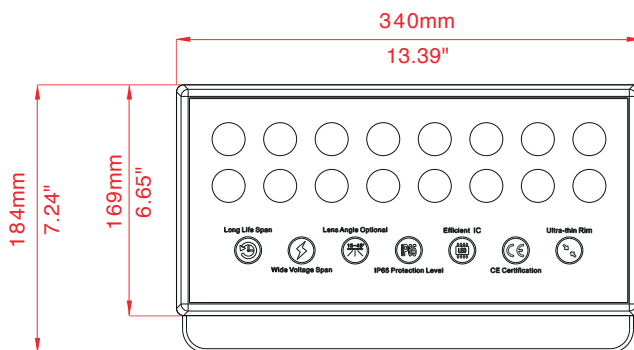
ILLUMINANCE AT A DISTANCE

LWCS-45W

Beam Angle: 15*35°



DIMENSIONS



Project name**Type****QTY**

ORDERING OPTIONS

Ordering example : LWCS-45W-RGB-15-240-DMX

Colour Temperature	<input type="checkbox"/> 30K - 3000K	<input type="checkbox"/> 40K - 4000K	<input type="checkbox"/> RD - RED	<input type="checkbox"/> GN - Green	<input type="checkbox"/> BLU - Blue	<input type="checkbox"/> RGB - Red, Green, Blue
Optics	<input type="checkbox"/> 15 - 15°	<input type="checkbox"/> 30 - 30°	<input type="checkbox"/> 45 - 45°	<input type="checkbox"/> 15x35 - 15°x35°		
Input Voltage	<input type="checkbox"/> 240 - 120 - 240V					
Control	<input type="checkbox"/> DMX - DMX Control	<input type="checkbox"/> OO - On/off Control				

Additional Ordering Information

Notes |