

Project name

Type

QTY

LW-LD038H-VU16024-Q38P



Features

- Universal Input range from 110 to 277 VAC
- Fully Potted suitable for dry and damp location applications
- Built-in active PFC Function
- Constant Voltage design (C. V mode)
- 1-10V Dimming Control
- UL8750 and CE compliant
- Protections :
 - Over current / Short Circuit / Over Temperature
- 3 years warranty

Safety Approval



Specification

Model No.		LW-LD038H-VU16024-Q38P
Output	DC Voltage	24V
	Current Range	0~1600 mA
	Rated Max. Power	38 W
	Voltage Tolerance	±5%
	Ripple & Noise (Max.) note.2	3.0 Vp-p
	Efficiency note.1	84%
	Set up Time (Max)	500ms/230Vac at full load
Input	Rated Voltage	110 - 277VAC
	Frequency Range	50 ~ 60Hz
	AC Current (Max.)	0.25A at 240VAC
	Power Factor	> 0.92 at 240VAC with full load.
	Inrush Current (Max.)	≤ 30A at 240VAC
	Leakage Current	< 1 mA / 240VAC
Protections	Over Current	130% ~ 160% rated output power Type : Hiccup Mode
	Short Circuit	Hiccup mode, recovers automatically after fault condition is removed
	Over Temperature	Shut down o/p voltage, recovers automatically after temperature goes down.
Environment	Operation Temp.	-10°C ~ 60°C (Refer to output load derating curve)
	Operation Humidity	20% ~ 90% RH non-condensing.
	Storage Temp., Humidity	-20°C ~ +80°C , 10% ~ 90% RH
Safety & EMC	Safety Standards	meet EN61347-1, EN61347-2-13, UL8750 refer UL1310
	Withstand Voltage	I/P - O/P : 3.75K VAC
	EMI Conduction & radiation	meet EN55015
	EMS Immunity	meet EN61000-4-2, 3, 4, 5, 6, 11 ; EN61547
Connection	Input	UL rated, 18AWGx 2C (150 mm)
	Output	UL rated, 18 AWGx 5C (150 mm) , (Vo+, Vo-, DIM+, DIM-, 10V)
Others	MTBF	100K hours min. @Ta=25 °C
	Dimension (L*W*H)	138 * 47 * 32 mm
	Packing (L*W*H) / Carton	340 * 305 * 200 mm ; 50pcs / 19 Kg
Note	1. All parameters NOT specially mentioned are measured at 230V AC input, rated load and 25°C ambient temperature. 2. Ripple & Noise are measured at 20MHZ bandwidth oscilloscope and with 0.1uf & 47uf parallel capacitor. 3. The power supply is considered a component which will be installed a final equipment. The final equipment must be re - confirmed that it still meets EMC directives.	

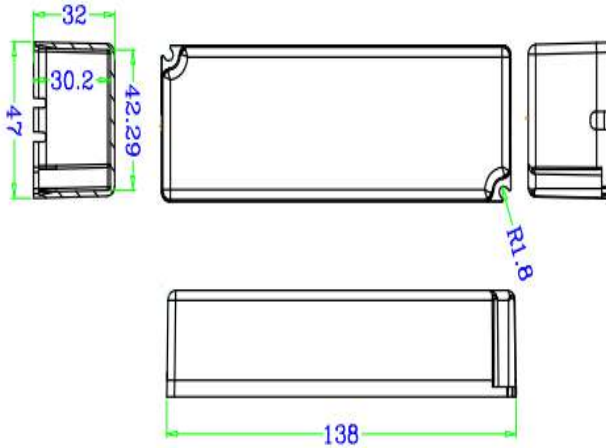
Project name

Type

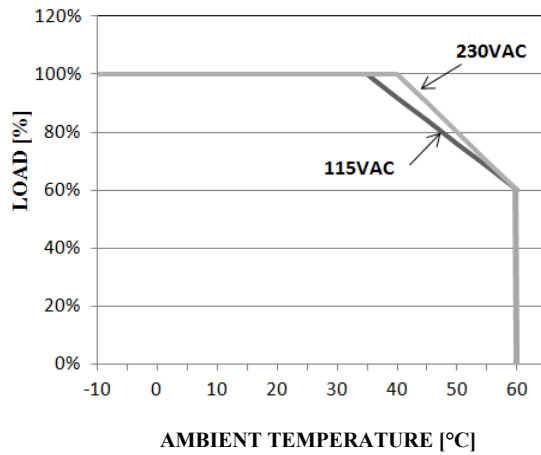
QTY

Dimensions : 138 X 47 X 32 mm

5.4 X 1.9 X 1.3 in



■ **Derating Curve**



■ **Static Characteristics**

