

Project name

Type

# LW-DIM-0-10V-100~277VAC-CC-350mA-27~42V



## Features

- Universal Input range from 110 to 277VAC
- Fully potted suitable for dry and damp location applications
- Built-in active PFC function
- Constant Current design
- 1-10V Dimming Control
- UL8750 and CE compliant
- Wide selection of pre-adjusted C/C outputs (factory settings)
- Protection: Over Current / Short Circuit / Over Temperature



**IP44**  
RATED

## Specification

<b>Output</b>	DC Voltage Range	36 - 42V
	Rated Current	530mA
	Rated Power	22W
	Current Tolerance	±5%
<b>Input</b>	Voltage Range	100-277VAC
	Frequency Range	50-60Hz
	Power Factor (Typ.) @Full Load	>0.92 @240VAC
	Efficiency (Typ.)	85%
	AC Current (Max.)	0.26A @240VAC
	Inrush Current (Typ.)	≤30A @240VAC
Leakage Current	<1mA @240VAC	
<b>Protection</b>	Short Circuit	Hiccup mode, recovers automatically after fault condition is removed
	Over Current	100% - 120% Constant current limiting, auto-recovery
	Over Temperature	Shut down O/P voltage, recovers automatically after temperature goes down
<b>Environment</b>	Working Temperature	-10°C ~ +60°C
	Working Humidity	20% ~ 90%RH, non-condensing
	Storage Temperature & Humidity	-20°C ~ +80°C 10% ~ 90%RH
<b>Safety &amp; EMC</b>	Safety Standards	UL8750 + UL1310, EN61347-1, EN61347-2-13
	Withstand Voltage	I/P-O/P: 3.75KVAC
	Isolation Resistance	I/P-O/P: 100MΩ 500VDC 25°C
	EMI Conduction & Radiation	Meets EN55015
	EMS Immunity	Meets EN61000-4-2, 3, 4, 5, 6, 11 EN61547
<b>Connection</b>	Input	UL Rated, 18AWG x 2C (150mm   5.91in)
	Output	UL Rated, 18AWG x 2C, 20AW x 3C (150mm   5.91in)
<b>Others</b>	Net Weight	0.20kg
	Dimensions	89 x 41 x 31.5mm   3.50 x 1.61 x 1.24in (L x W x H)

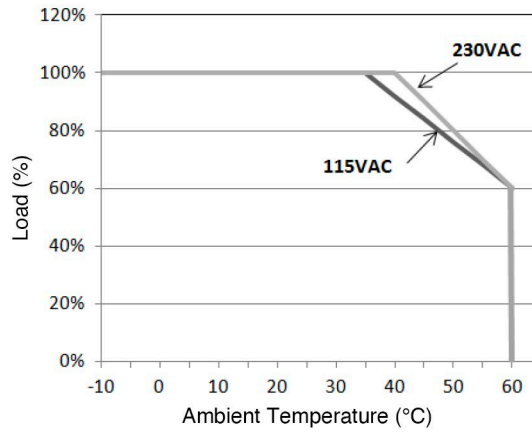
All parameters if NOT specified otherwise are measured at 230VAC input, rated load and 25°C ambient temperature. To extend the driver's using life, please reduce the loading at lower input voltage.

**Project name**

**Type**

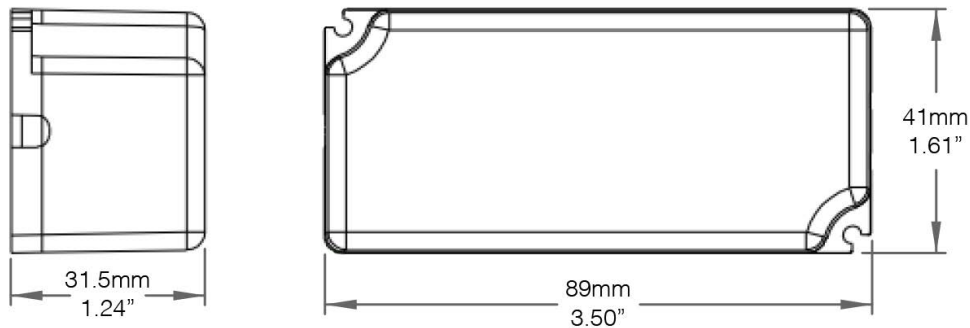
# LW-DIM-0-10V-100~277VAC-CC-350mA-27~42V

## Derating Curve



To extend their life, please refer to the Derating Curve and derate according to the temperature

## Dimensions



## Connecting Diagram

