

Project name

Type

LW-DIM-0-10V-100~277VAC-CV-24V-24W

Features

- Universal Input range from 110 to 277VAC
- Fully potted suitable for dry and damp location applications
- Built-in active PFC function
- Constant Voltage design
- 1-10V Dimming Control
- UL8750 and CE compliant
- Protection: Over Current / Short Circuit / Over Temperature



Specification

Output	DC Voltage	24V
	Current Range	0-900mA
	Rated Power	22W
	Voltage Tolerance	±5%
Input	Voltage Range	110-277VAC
	Frequency Range	50-60Hz
	Power Factor (Typ.) @Full Load	>0.92 @240VAC
	Efficiency (Typ.)	85%
	AC Current (Max.)	0.26A @240VAC
	Inrush Current (Typ.)	≤30A @240VAC
	Leakage Current	<1mA @240VAC
Protection	Short Circuit	Hiccup mode, recovers automatically after fault condition is removed
	Over Current	130% - 160% Constant current limiting, auto-recovery
	Over Temperature	Shut down O/P voltage, recovers automatically after temperature goes down
Environment	Working Temperature	-10°C ~ +60°C
	Working Humidity	20% ~ 90%RH, non-condensing
	Storage Temperature & Humidity	-20°C ~ +80°C 10% ~ 90%RH
Safety & EMC	Safety Standards	UL8750 + UL1310, EN61347-1, EN61347-2-13
	Withstand Voltage	I/P-O/P: 3.75KVAC
	Isolation Resistance	I/P-O/P: 100MΩ 500VDC 25°C
	EMI Conduction & Radiation	Meets EN55015
	EMS Immunity	Meets EN61000-4-2, 3, 4, 5, 6, 11 EN61547
Connection	Input	UL Rated, 18AWG x 2C (150mm 5.91in)
	Output	UL Rated, 18AWG x 2C, 20AW x 3C (150mm 5.91in)
Others	Net Weight	0.20kg
	Dimensions	89 x 41 x 31.5mm 3.50 x 1.61 x 1.24in (L x W x H)

All parameters if NOT specified otherwise are measured at 230VAC input, rated load and 25°C ambient temperature. To extend the driver's using life, please reduce the loading at lower input voltage.

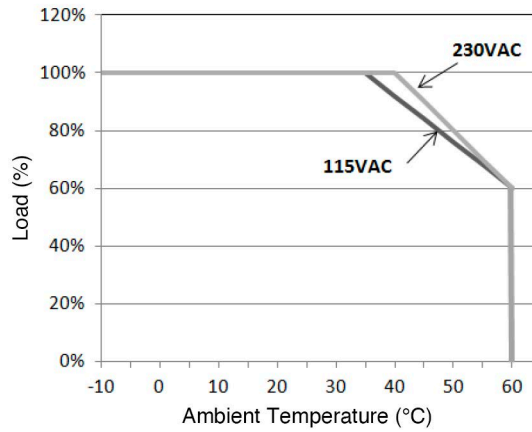
Project name

Type

QTY

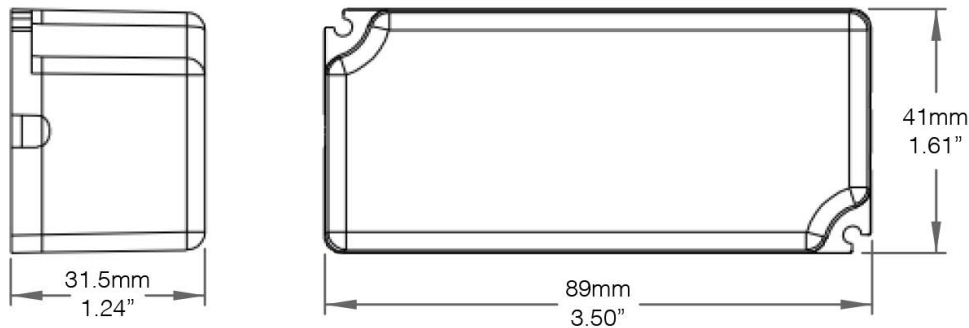
LW-DIM-0-10V-100~277VAC-CV-24V-24W

Derating Curve



To extend their life, please refer to the Derating Curve and derate according to the temperature

Dimensions



Connecting Diagram

