



**Features**

- Constant Voltage output
- UL, cULus listed, Class2 unit, ClassP unit, Type HL rated, FCC
- Universal AC input: 100-277VAC
- Up to 0.98 power factor capacity (PFC)
- Up to 86% efficiency
- 10-100% load capacity
- Protected from Short Circuits, Overload and Overheat
- No PWM influence on colour index
- IP67 protection for dry, damp and wet locations
- Flicker-free
- Dimming functions available:
  - 0-10V Dimming:
    - 0-10V
    - 1-10V
    - Potentiometer
    - 10V PWM, 4-in-1
- 0 to 100% dimming range
- Suitable for LED lighting



**Specifications**

| OUTPUT             |       | INPUT                          |                                |
|--------------------|-------|--------------------------------|--------------------------------|
| DC Voltage         | 24V   | Voltage Range                  | 100-277VAC                     |
| Rated Current      | 4A    | Frequency Range                | 47-63Hz                        |
| Rated Power        | 96W   | Power Factor (Typ.) @Full Load | 0.98 @120VAC      0.95 @277VAC |
| Voltage Tolerance  | ±0.5V | THD (Typ.) @Full Load          | < 20%                          |
| Voltage Regulation | ±0.5% | Efficiency (Typ.) @Full Load   | 83% @120VAC      86% @277VAC   |
| Load Regulation    | ±1%   | AC Current (Max.)              | 1.3A @100VAC                   |
|                    |       | Inrush Current (Typ.)          | 20A, 50%, 1.6ms                |
|                    |       | Leakage Current                | < 0.50mA                       |

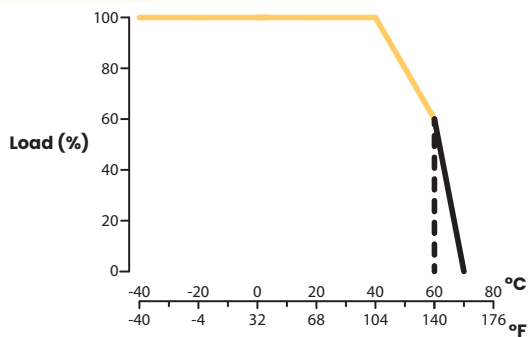
| PROTECTION    |  |
|---------------|--|
| Short Circuit | Output Voltage shutdown. After faulty condition is corrected, driver recovers automatically.             |
| Overload      | @ ≤120%: Output Voltage shutdown. After faulty condition is corrected, driver recovers automatically.    |
| Overheat      | @ 100°C ±10°C / @ 212°F ±18°F: Output Voltage shutdown. Once cooled down, driver recovers automatically. |

| ENVIRONMENT                    |   |
|--------------------------------|---|
| Working Temperature            | -40°C ~ +60°C / -40°F ~ 140°F (See Derating Curve below)                      |
| Working Humidity               | 20% ~ 90% Relative Humidity, Non-Condensing                                   |
| Storage Temperature & Humidity | -40°C ~ +80°C / -40°F ~ 176°F      10% ~ 95% Relative Humidity                |
| Temperature Coefficient        | ±0.03%/°C (0°C ~ 50°C) / ±0.054%/°F (32°F ~ 122°F)                            |
| Vibrations                     | 10 ~ 500Hz, 5G 10min. / 1 cycle, 60 min. period each. / Along X, Y and Z axis |

| SAFETY & ELECTROMAGNETIC COMPATIBILITY (EMC) |   | OTHERS                 |   |
|--|---|------------------------|---|
| Safety Standards                             | UL8750 + UL1310   | Net Weight             | 1.3Kg                                     |
| Withstand Voltage                            | Input to Output: 1.88KVAC   | Dimensions (L x W x H) | 220 x 93 x 43mm      8.66 x 3.66 x 1.69in |
| Isolation Resistance                         | Input to Output: 100MΩ / 500VDC / 25°C (77°F) / 70% Relative Humidity |                        |   |
| EMC Emission                                 | FCC Part 15, Subpart B  |                        |   |

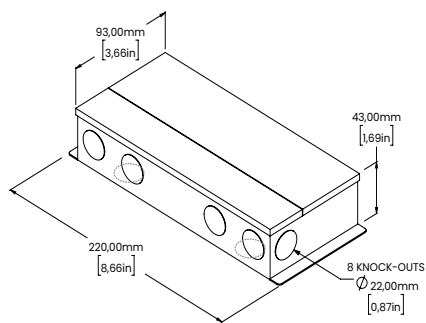
*i* Unless mentioned otherwise, all specifications are measured at 120VAC input, rated load and 25°C (77°F) ambient temperature. Reduce input voltage load to extend the driver's life.

### Derating Curve



To extend Driver's life, derate according to the ambient temperature.

### Dimensions

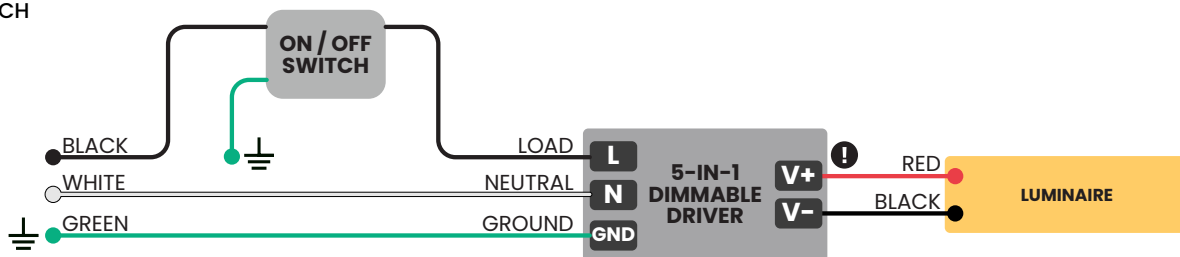


220 x 94.5 x 40mm  
 8.66 x 3.72 x 1.57"

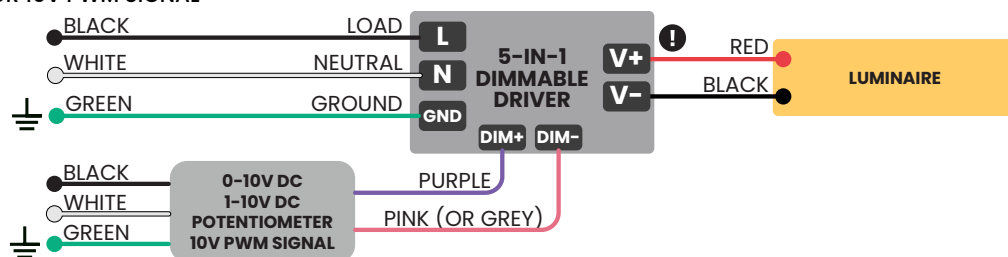
### Connection Diagrams

1. This Driver should be installed by a qualified professional.
2. Make sure the Driver is installed with adequate ventilation to allow heat dissipation.
3. Make sure the wiring is correct before testing to avoid damaging Luminaire and Power Supply.
4. **DO NOT ATTEMPT TO REPAIR THE DRIVER.**

#### ON / OFF SWITCH SINGLE DRIVER



#### 0-10V, 1-10V, POTENTIOMETER OR 10V PWM SIGNAL SINGLE DRIVER

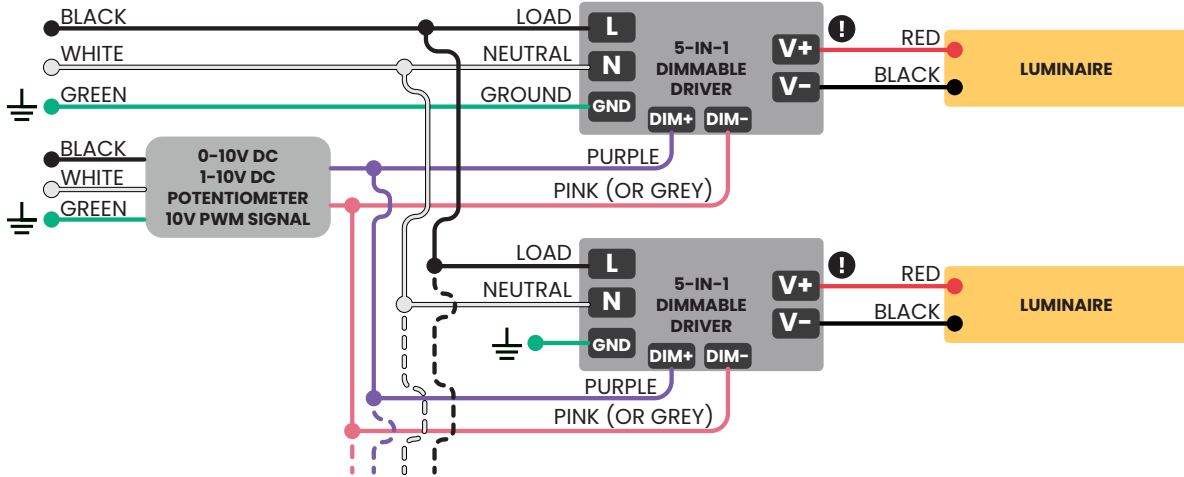


**!** Lumen Warm recommends **NOT TO EXCEED 80%** of the Driver's load capacity for longer durability.

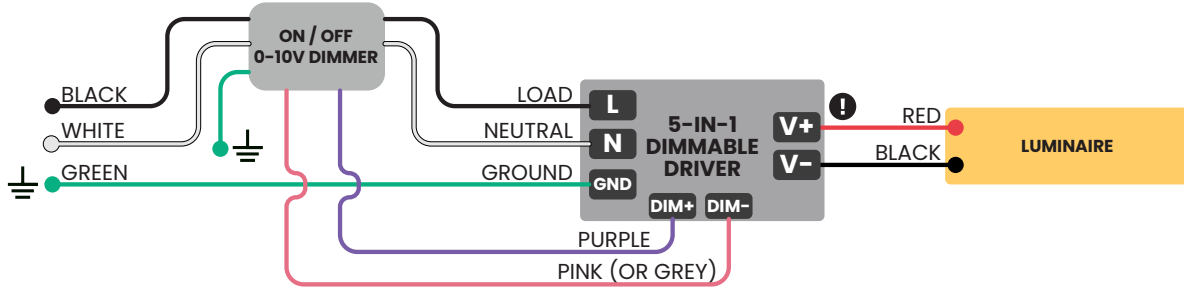
**i** Lumen Warm recommends matching wire colours to corresponding LED terminals to prevent programming issues.

**Connection Diagrams (Cont.)**

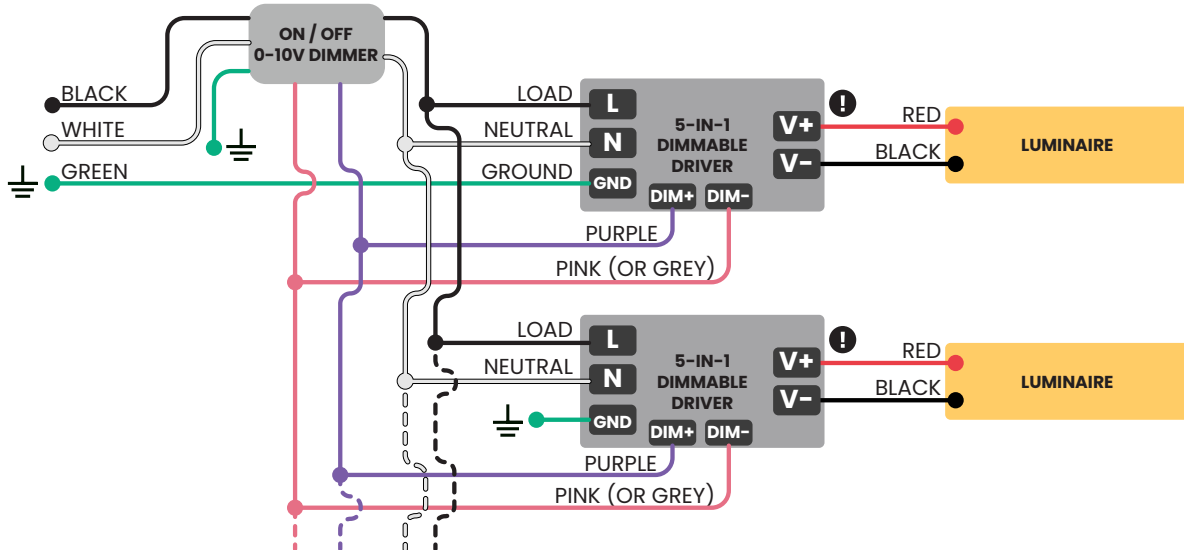
0-10V, 1-10V, POTENTIOMETER OR 10V PWM SIGNAL  
 MULTIPLE DRIVERS



ON/OFF 0-10V DIMMER  
 SINGLE DRIVER



ON/OFF 0-10V DIMMER  
 MULTIPLE DRIVERS



**!** Lumen Warm recommends **NOT TO EXCEED 80%** of the Driver's load capacity for longer durability.

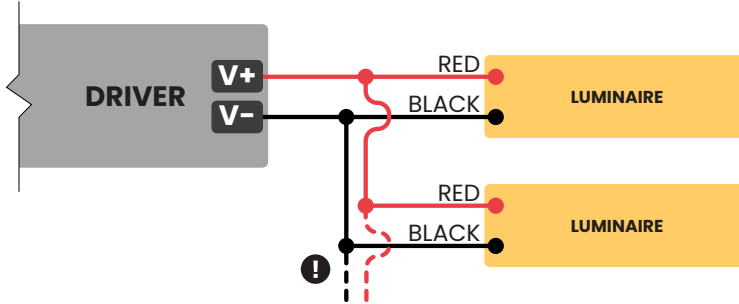
**i** Lumen Warm recommends matching wire colours to corresponding LED terminals to prevent programming issues.

### Multiple Luminaires Wiring Methods

IN PARALLEL, DAISY CHAIN METHOD



IN PARALLEL, PARALLEL STANDARD METHOD



- ❗ Lumen Warm recommends **NOT TO EXCEED 80%** of the Driver's load capacity for longer durability.
- ⓘ Both connection methods can be combined if applicable.
- ⓘ This is a simplified diagram. Use for reference only.