

Project name

Type

LW-DIM-ELV-100~ 130VAC-CV-24V-96W-IP67-JBX



Features

- Output constant voltage
- Universal AC input: 100-130VAC
- High efficiency: up to 84%
- Protection: Short Circuit / Over Loading / Over Temperature / Over Current
- Full protection aluminum housing
- Easy installation
- Cooling by free air convection
- Compatible with Forward Phase, Magnetic low voltage, Triac Dimmer
- Strong compatibility, flicker-free dimming
- Suitable for LED lighting and moving signs applications and more
- Provided with a junction box for connection to line voltage
- Suitable for dry and damp location use, IP67



IP67 RATED

Specification

Output	DC Voltage	24V
	Voltage Tolerance	±0.5V
	Rated Current	4A
	Rated Power	96W
Input	Voltage Range	100-130VAC
	Frequency Range	50-60Hz
	Power Factor	0.65 @Full Load
	Efficiency (Typ.)	83%
	AC Current (Max.)	2A
	Leakage Current	<0.50mA @120VAC
Protection	Short Circuit	Hiccup mode, recover automatically after fault condition is removed
	Over Current	≤1.2*I out
	Over Loading	≤120%
	Over Temperature	100°C ±10°C, Shut down O/P voltage, recovers automatically after temperature goes down
Environment	Working Temperature	-40°C ~ +60°C
	Working Humidity	20 ~ 95%RH, non-condensing
	Storage Temperature & Humidity	-40°C ~ +80°C, 10 ~95%RH
	Temperature Coefficient	±0.03%/°C (0 ~ 50°C)
	Vibration	10 ~ 500Hz, 5G 12min/1 cycle, period for 72min. each along X, Y, Z axes
Safety & EMC	Safety Standards	UL8750 + UL1310 Class 2 Unit
	Withstand Voltage	I/P-O/P: 1500VAC
	Isolation Resistance	I/P-O/P: 100MΩ 500VDC 25°C 70%RH
	EMC Emission	FCC Part 15 B
Others	Net Weight	1.2kg With Junction Box: 1.84kg
	Dimensions	230 x 70 x 46mm 9.06 x 2.76 x 1.81in 380 x 77 x 57mm 14.96 x 3.03 x 2.24in (L x W x H)

All parameters if NOT specified otherwise are measured at 120VAC input, rated load and 25°C ambient temperature. To extend the driver's using life, please reduce the loading at lower input voltage. Loading should be 5-100%

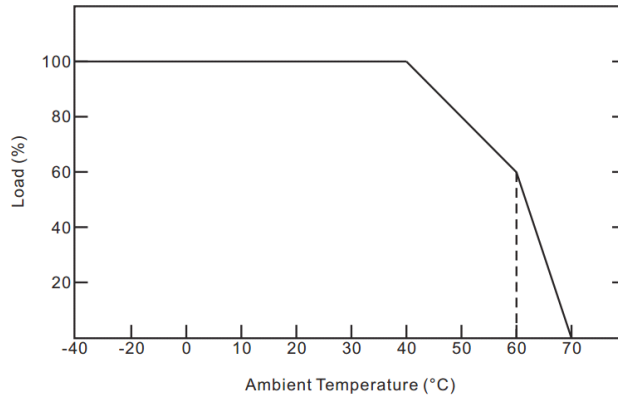
Project name

Type

QTY

LW-DIM-ELV-100~130VAC-CV-24V-96W-IP67-JBX

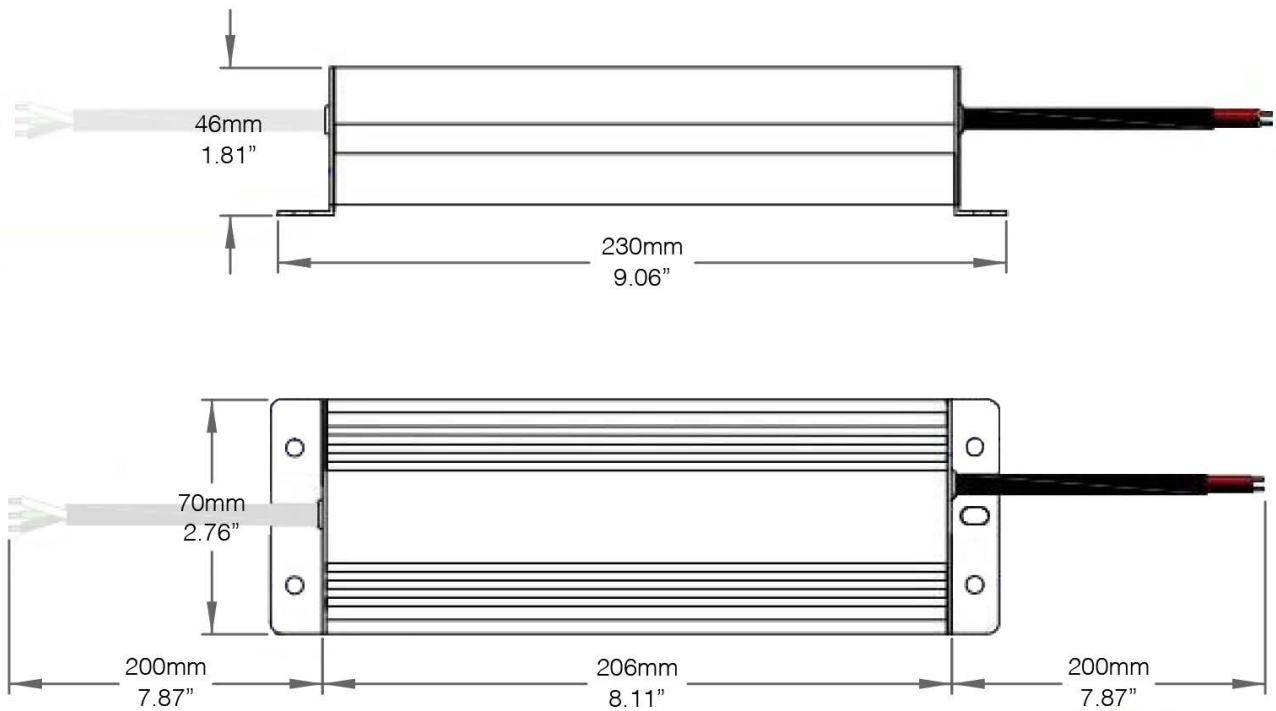
Derating Curve



To extend their life, please refer to the Derating Curve and derate according to the temperature

Dimensions

Driver

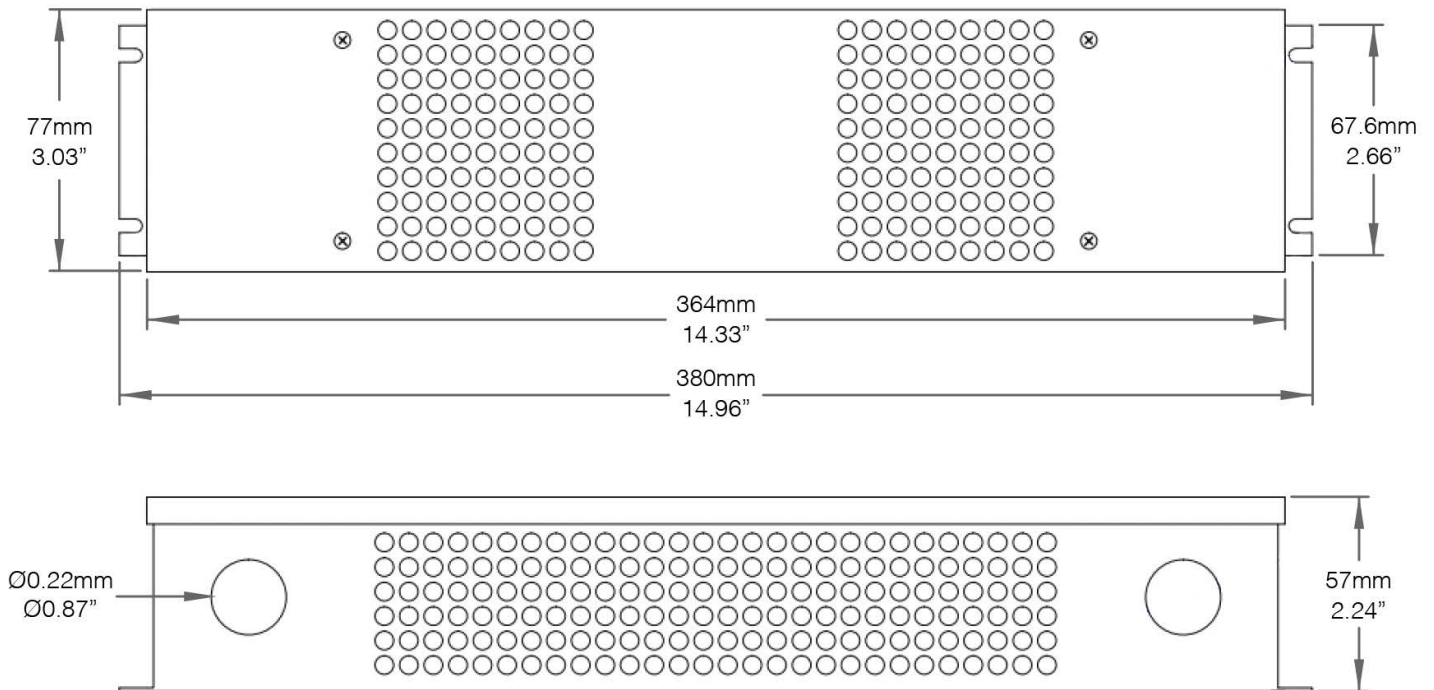


Project name**Type****QTY**

LW-DIM-ELV-100~ 130VAC-CV-24V-96W-IP67-JBX

Dimensions

Junction Box



Dimming Operation

- Output constant current level can be adjusted through input terminal of the AC phase line (L) by connecting a Phase/Triac dimmer.
- For Forward Phase, Magnetic low voltage and Triac Dimmer.

Warning

- Output polarity: Red is Positive (+), Black is Negative (-).
- Risk of electric shocks. When used outdoors, install only on a circuit protected by a Class A GFCI.
- Risk of fire. Installation involves special wiring methods to run wiring through a building structure. Consult a qualified electrician.
- Mount the unit at a height greater than one (1) foot from the ground surface.

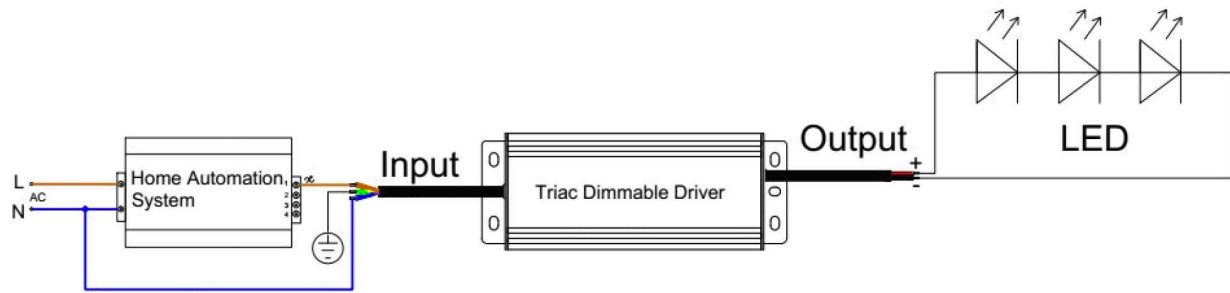
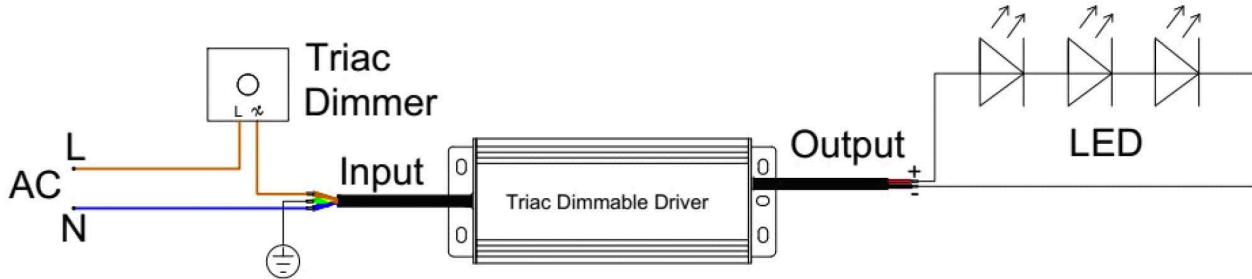
Project name

Type

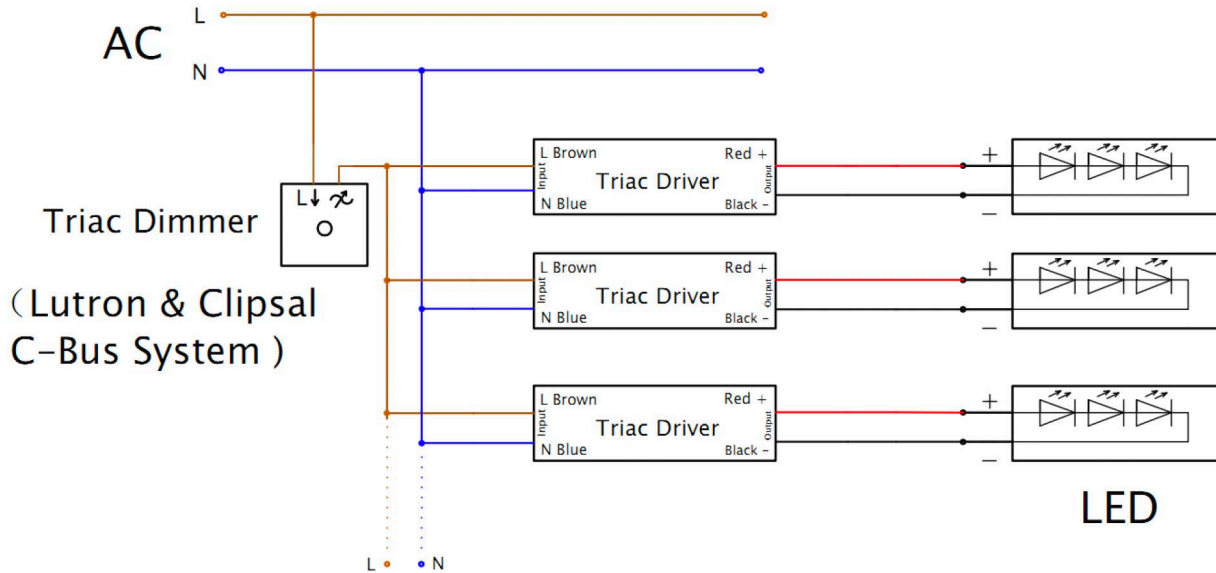
LW-DIM-ELV-100~ 130VAC-CV-24V-96W-IP67-JBX

Connecting Diagrams

Single Driver Connection Diagram



Multiple Drivers Connection Diagram

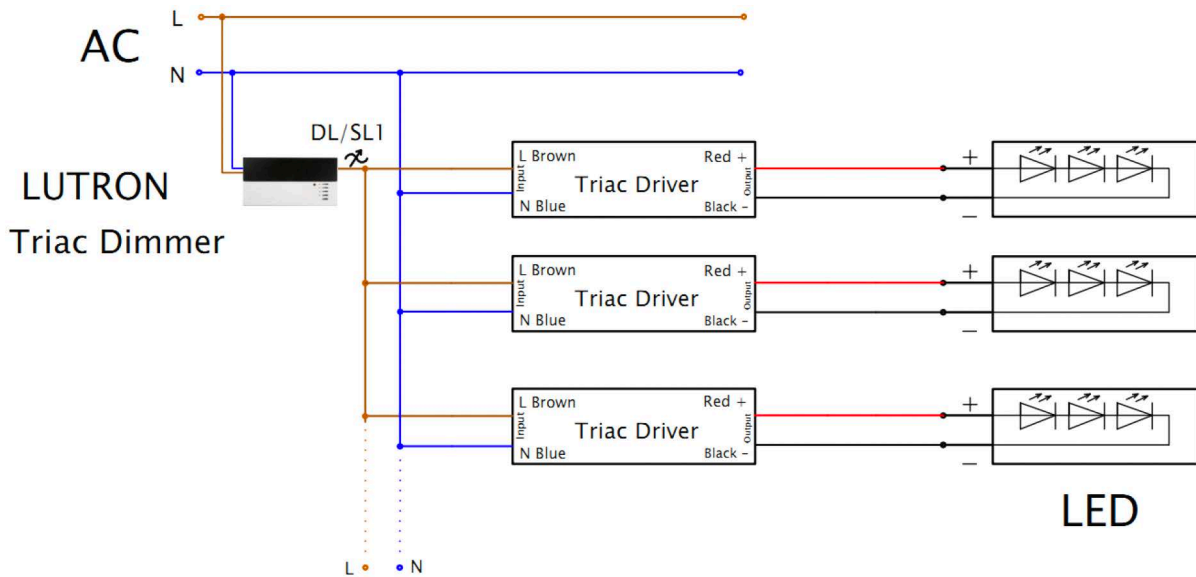
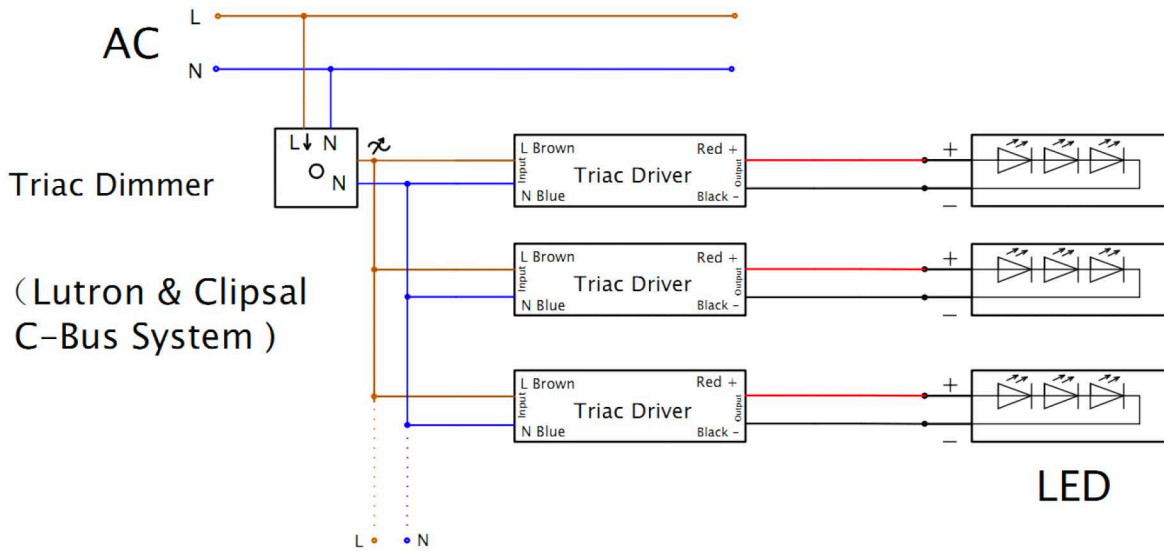


Project name

Type

QTY

LW-DIM-ELV-100~ 130VAC-CV-24V-96W-IP67-JBX



Instructions

1. This driver should be installed by a qualified professional.
2. Please make sure the driver is installed with adequate ventilation around it to allow for heat dissipation.
3. Ensure that wiring is correct before testing in order to avoid light and power supply damage.
4. If driver cannot work properly, do not attempt to repair it.