

**Project name**

**Type**

# LW-DIM-ELV-100~277VAC-CV-24V-30W-IP67-JBX



**IP67 RATED**

## Features

- Output constant voltage
- UL, cUL Listed, Class 2, Class P, Type HL
- Universal AC input: 100-277VAC
- Power Factor: up to 0.99
- High efficiency: up to 79%
- Dimming range: 0-100%
- Load: 10-100%
- Protection: Short Circuit / Over Loading / Over Temperature
- PWM output, does not change the color index
- Full protection aluminum housing for dry or damp location
- Flicker-free
- Compatible with Forward phase, Reverse phase, Triac, MLV, ELV Dimmers
- Suitable for LED lighting and moving sign applications

## Specification

<b>Output</b>	DC Voltage	24V
	Rated Current	1.25A
	Rated Power	30W
	Voltage Tolerance	±0.5V
	Voltage Regulation	±0.5%
	Load Regulation	±1%
<b>Input</b>	Voltage Range	100-277VAC
	Frequency Range	47-63Hz
	Power Factor (Typ.) @Full Load	0.99 @120VAC 0.97 @277VAC
	THD (Typ.) @Full Load	<20%
	Efficiency (Typ.) @Full Load	79%
	AC Current (Max)	0.5A @100VAC
	Inrush Current (Typ.)	7A 50% 420us
Leakage Current	<0.50mA	
<b>Protection</b>	Short Circuit	Shut down O/P voltage, re-power on to recover after fault condition is removed
	Over Loading	≤120% shut down O/P voltage, re-power on to recover
	Over Temperature	100°C ±10°C shut down O/P voltage, automatically recovers after cooling
<b>Environment</b>	Working Temperature	-40°C ~ +60°C (See derating curve below)
	Working Humidity	20% ~ 90%RH, non-condensing
	Storage Temperature & Humidity	-40°C ~ +80°C 10% ~ 95%RH
	Temperature Coefficient	±0.03%/°C (0°C ~ 50°C)
	Vibration	10 ~ 500Hz, 5G 10min./1 cycle, period for 60min. each along X, Y, Z axes
<b>Safety &amp; EMC</b>	Safety Standards	UL8750 + UL1310
	Withstand Voltage	I/P-O/P: 1.88kVAC
	Isolation Resistance	I/P-O/P: 100MΩ 500VDC 25°C 70%RH
	EMC Emission	FCC Part 15 B
<b>Others</b>	Net Weight	0.95kg
	Dimensions	165 x 92 x 26mm   6.50 x 3.62 x 1.02in (L x W x H)

All parameters if NOT specified otherwise are measured at 120VAC input, rated load and 25°C ambient temperature. To extend the driver's using life, please reduce the loading at lower input voltage.

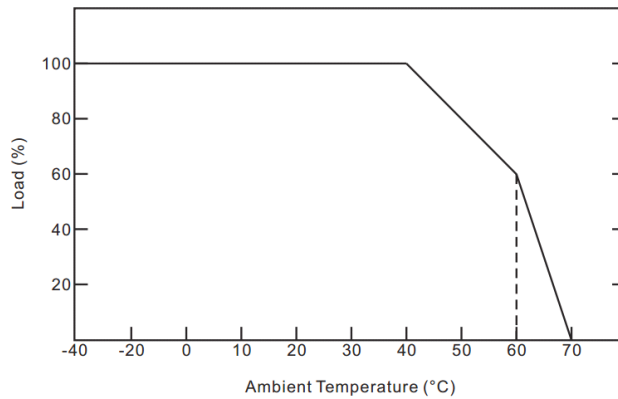
**Project name**

**Type**

**QTY**

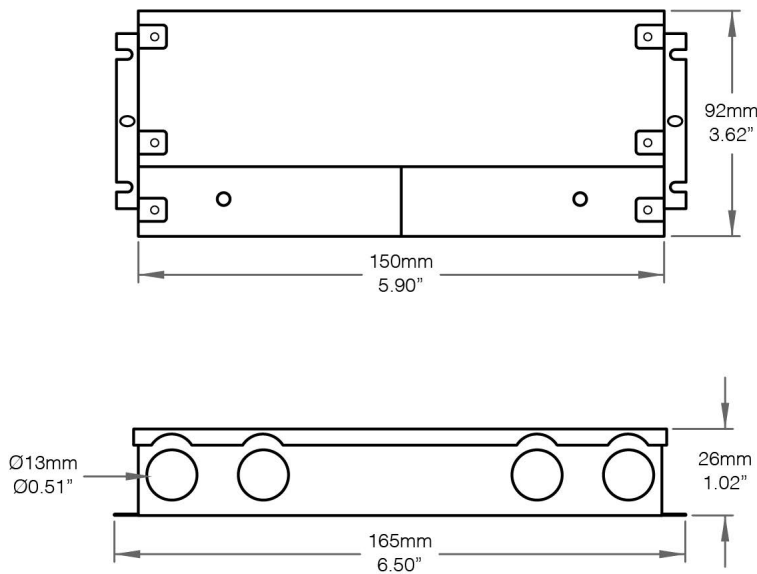
# LW-DIM-ELV-100~277VAC-CV-24V-30W-IP67-JBX

## Derating Curve



To extend their life, please refer to the Derating Curve and derate according to the temperature

## Dimensions



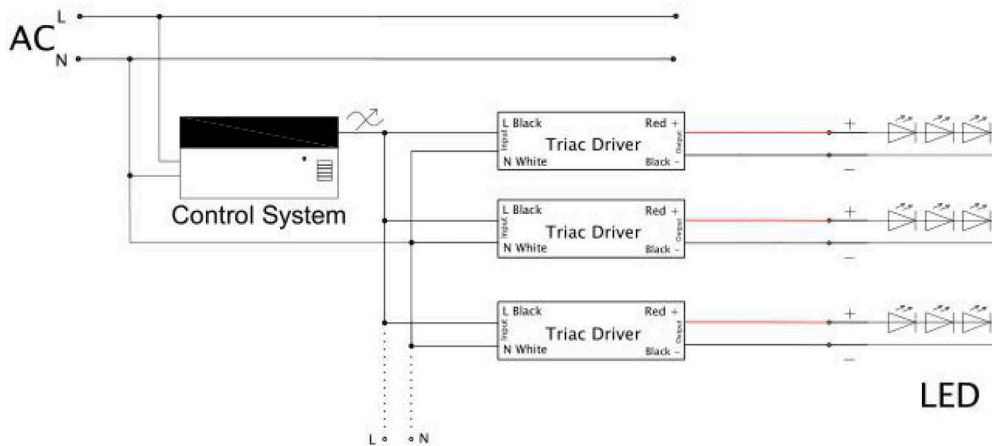
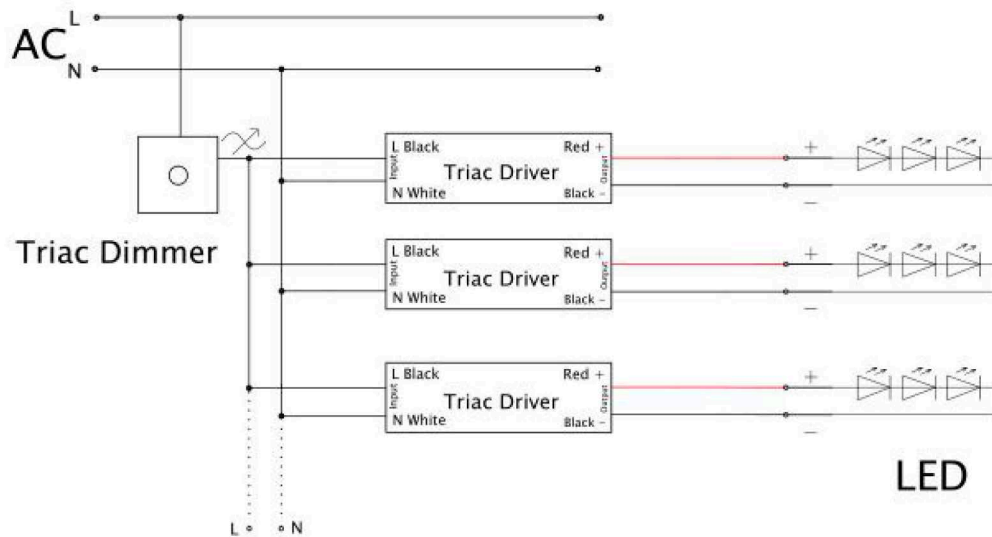
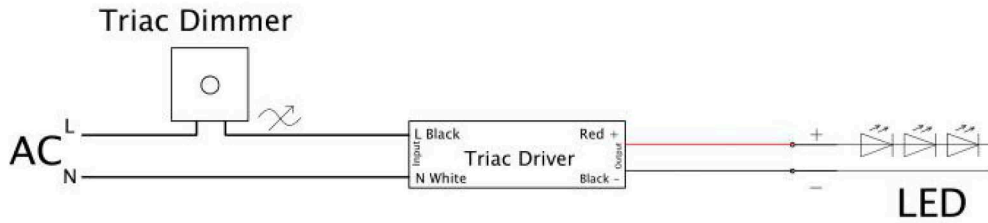
- Input Wire 18AWG Black and White to be connected to AC L and N, Green wire is ground wire and goes ground.
- Output wire 18AWG Red to LED Positive side (+), Black to LED Negative side (-).

## Dimming Operation

- The Pulse-Width Modulation (PWM) of output voltage can be adjusted through input terminal of the AC phase line (L) by connection a Phase/Triac dimmer.
- Usually matching with Forward phase, Leading edge, Magnetic low voltage, Triac dimmers or Reverse phase, Trailing edge, Electric low voltage dimmers.

# LW-DIM-ELV-100~277VAC-CV-24V-30W-IP67-JBX

## Connecting Diagrams



## Instructions

1. This driver should be installed by a qualified professional.
2. Please make sure the driver is installed with adequate ventilation around it to allow for heat dissipation.
3. Ensure that wiring is correct before testing in order to avoid light and power supply damage.
4. If driver cannot work properly, do not attempt to repair it.