

Project name

Type

LW-DIM-ELV-100~277VAC-CV-24V-96W-IP67-JBXIP67
RATED

Features

- Output constant voltage
- UL, cUL Listed, Class 2 unit, Class P, Type HL
- Universal AC input: 100-277VAC
- Power Factor: up to 0.98
- High efficiency: up to 83%
- Dimming range: 0-100% for a 10-100% load
- Protection: Short Circuit / Over Loading / Over Temperature
- PWM output, does not change the color index
- Full protection aluminum housing for dry, damp location
- Flicker-free
- Compatible with Forward phase, Reverse phase, Triac, MLV, ELV Dimmers
- Suitable for LED lighting and moving sign applications

Specification

| | | |
|-------------------------|--------------------------------|--|
| Output | DC Voltage | 24V |
| | Rated Current | 4A |
| | Rated Power | 96W |
| | Voltage Tolerance | ±0.5V |
| | Voltage Regulation | ±0.5% |
| | Load Regulation | ±1% |
| Input | Voltage Range | 100-277VAC |
| | Frequency Range | 47-63Hz |
| | Power Factor (Typ.) @Full Load | 0.98 @120VAC 0.96 @277VAC |
| | THD (Typ.) @Full Load | <20% |
| | Efficiency (Typ.) @Full Load | 83% |
| | AC Current (Max.) | 1.3A @100VAC |
| | Inrush Current (Typ.) | 20A 50% 1.6ms |
| Leakage Current | <0.50mA | |
| Protection | Short Circuit | Shut down O/P voltage, re-power on to recover after fault condition is removed |
| | Over Loading | ≤120% constant current limiting, auto-recovery |
| | Over Temperature | 100°C ±10°C, Shut down O/P voltage, automatically recovers after cooling |
| Environment | Working Temperature | -40°C ~ +60°C (See derating curve below) |
| | Working Humidity | 20 ~ 90%RH, non-condensing |
| | Storage Temperature & Humidity | -40°C ~ +80°C, 10 ~ 95%RH |
| | Temperature Coefficient | ±0.03%/°C (0 ~ 50°C) |
| | Vibration | 10 ~ 500Hz, 5G 10min./1 cycle, period for 60min. each along X, Y, Z axes |
| Safety & EMC | Safety Standards | UL8750 + UL1310 |
| | Withstand Voltage | I/P-O/P: 1.88KVAC |
| | Isolation Resistance | I/P-O/P: 100MΩ 500VDC 25°C 70%RH |
| | EMC Emission | FCC Part 15 B |
| Others | Net Weight | 1.3kg |
| | Dimensions | 220 x 93 x 41mm 8.66 x 3.66 x 1.61in (L x W x H) |

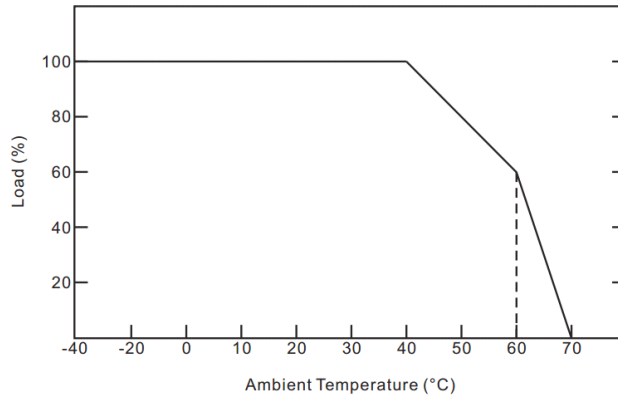
All parameters if NOT specified otherwise are measured at 120VAC input, rated load and 25°C ambient temperature.
To extend the driver's using life, please reduce the loading at lower input voltage.

Project name

Type

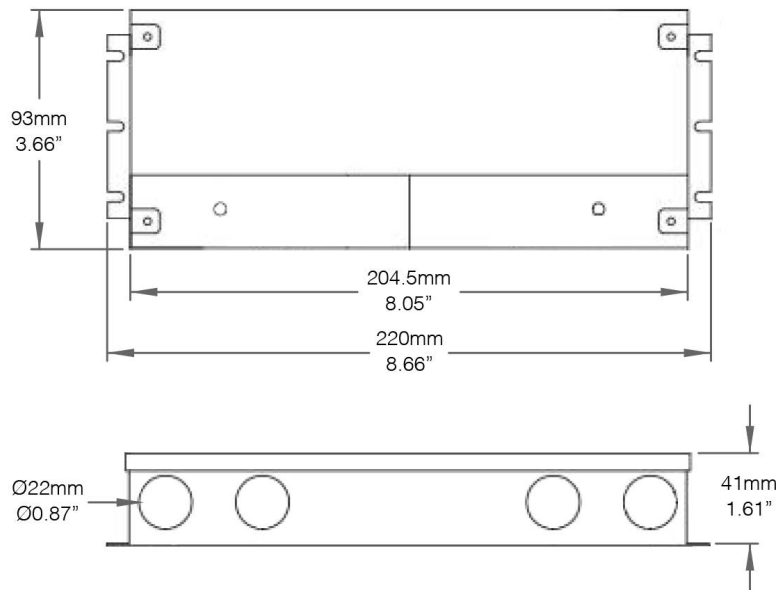
LW-DIM-ELV-100~277VAC-CV-24V-96W-IP67-JBX

Derating Curve



To extend their life, please refer to the Derating Curve and derate according to the temperature

Dimensions



- Input wire 18AWG Black and White to be connected to AC L and N, Green wire goes ground.
- Output wire 16AWG Red to LED Positive (+) side, Black to LED Negative (-) side.

Dimming Operation

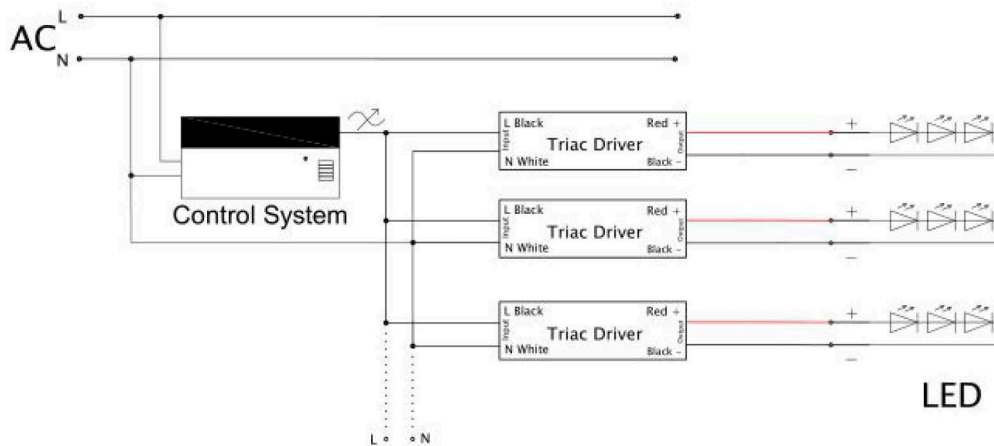
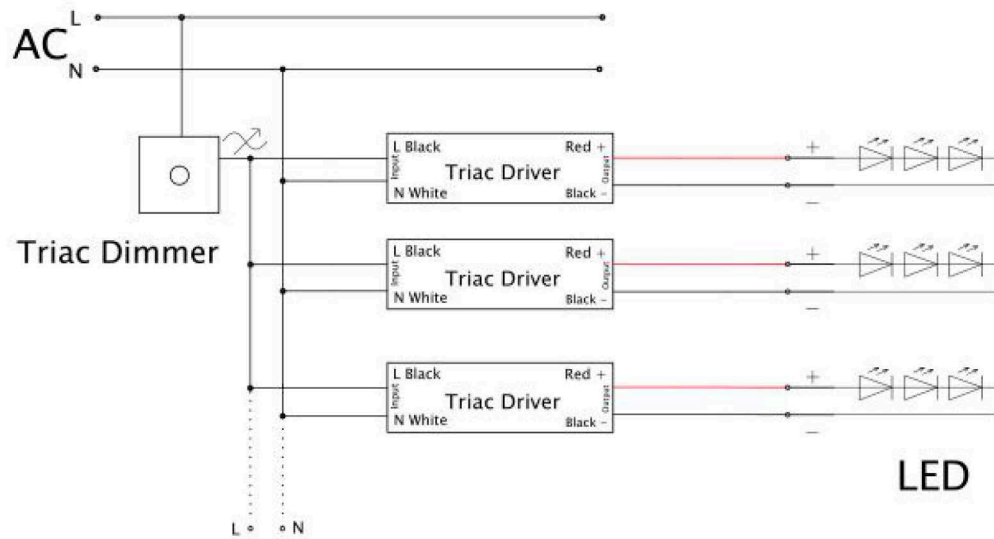
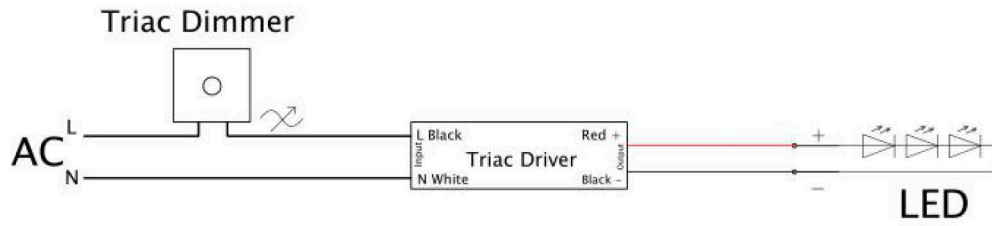
- The Pulse-Width Modulation (PWM) of output voltage can be adjusted through input terminal of the AC phase line (L) by connecting a Phase/Triac dimmer.
- Usually matching with Forward phase, Leading edge, Magnetic low voltage, Triac Dimmers or Reverse phase, Trailing edge, Electric low voltage dimmers.
- Please try to use dimmers with power at least 1.5 times as the output power of the driver.

Project name

Type

LW-DIM-ELV-100~277VAC-CV-24V-96W-IP67-JBX

Connecting Diagrams



Instructions

1. This driver should be installed by a qualified professional.
2. Please make sure the driver is installed with adequate ventilation around it to allow for heat dissipation.
3. Ensure that wiring is correct before testing in order to avoid light and power supply damage.
4. If driver cannot work properly, do not attempt to repair it.