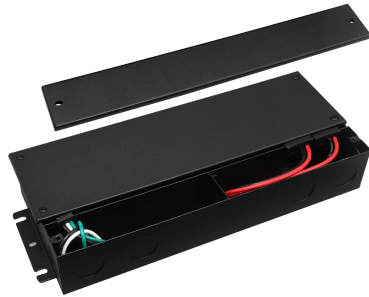


Project name

Type

LW-DIM-TRC-0-10V-100 277VAC-CV-24V-192W-IP67-JBX



Features

- Output constant voltage, multi-channel for Class 2
- UL, cUL listed, FCC, Class 2, Type HL
- Universal AC Input: 100-277VAC
-
- High efficiency: up to 89%
- Dimming range: 0-100%
- Protection: Short circuit / Over loading / Over temperature
- PWM output, does not change the color index
- Full protection aluminum housing, for dry, damp and wet locations
-
-
- Cooling by free air convection
- Suitable for LED lighting and moving sign applications

Specification

Output	DC Voltage	24V
	Rated Current	2*4A
	Rated Power	192W (2x96W)
	Voltage Tolerance	±0.5V
	Voltage Regulation	±0.5%
	Load Regulation	±1%
Input	Voltage Range	100-277VAC
	Frequency Range	47-63Hz
	Power Factor (Typ.) @Full Load	0.99 @120VAC 0.94 @277VAC
	THD (Typ.) @Full Load	<20%
	Efficiency (Typ.) @ Full Load	87% @120VAC 89% @277VAC
	AC Current (Max.)	2.3A @100VAC
	Inrush Current (Typ.)	19A, 50%, 1.3ms @120VAC 38A, 50%, 960us @277VAC
Leakage Current	<0.50mA	
Protection	Short Circuit	Shut down O/P voltage, re-power on to recover after fault condition is removed
	Over Loading	≤120% Hiccup mode, recovers automatically after fault condition is removed
	Over Temperature	100°C ±10°C shut down O/P voltage, automatically recovers after cooling
Environment	Working Temperature	-40°C ~ +60°C (See derating curve below)
	Working Humidity	20 ~ 90%RH, non-condensing
	Storage Temperature & Humidity	-40°C ~ +80°C 10~95%RH
	Temperature Coefficient	±0.03%/°C (0°C ~ 50°)
	Vibration	10 ~ 500Hz, 5G 10min./1 cycle, period for 60min. each along X, Y, Z axes
Safety & EMC	Safety Standards	UL8750 + UL1310
	Withstand Voltage	I/P-O/P: 1.88KVAC
	Isolation Resistance	I/P-O/P: 100MΩ 500VDC 25°C 70%RH
	EMC Emission	FCC 47 CFR Part 15, Subpart B
Others	Net Weight	2.3kg
	Size	278 x 110 x 45mm 10.94 x 4.33 x 1.77in (L x W x H)

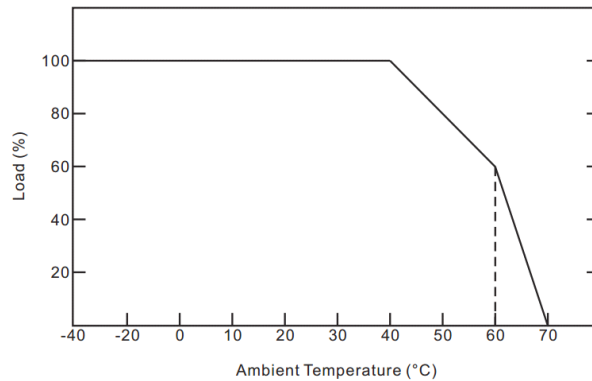
All parameters if NOT specified otherwise are measured at 120VAC input, rated load and 25°C ambient temperature. To extend the driver's using life, please reduce the loading at lower input voltage.

Project name

Type

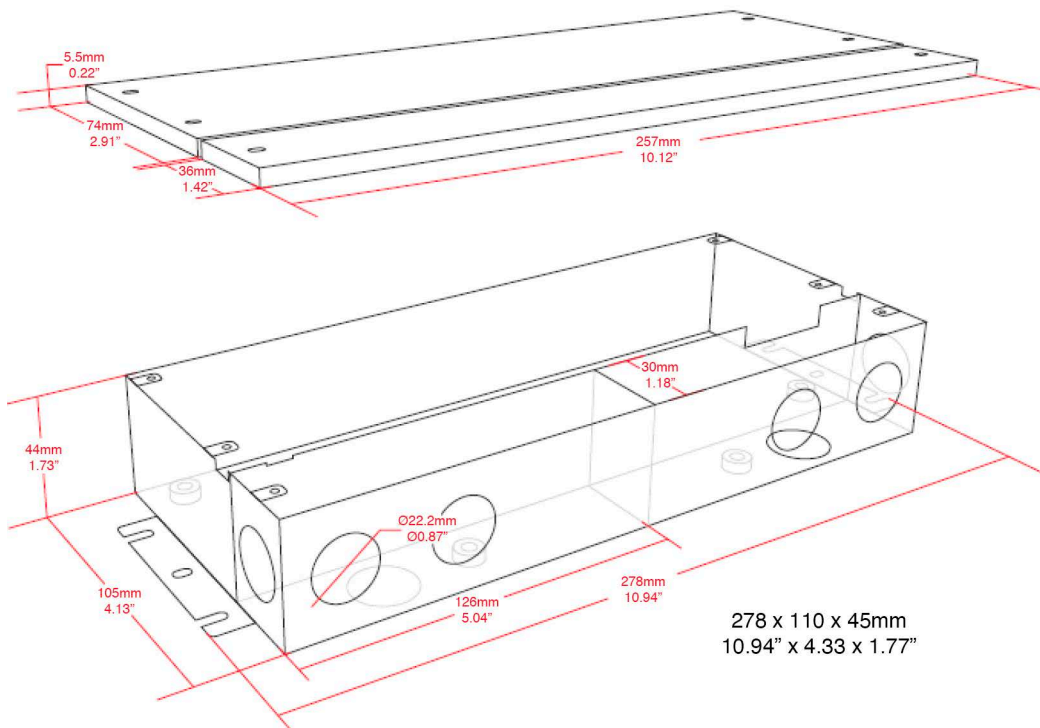
LW-DIM-TRC-0-10V-100~277VAC-CV-24V-192W-IP67-JBX

Derating Curve



To extend their life, please refer to the Derating Curve and derate according to the temperature

Dimensions



- Input Wire 18AWG Black and White to be connected to AC L and N, Green wire is ground wire and goes ground.
- Output wire 16AWG Red to LED Positive side (+), Black to LED Negative side (-). Two groups output cables.

Dimming Operation

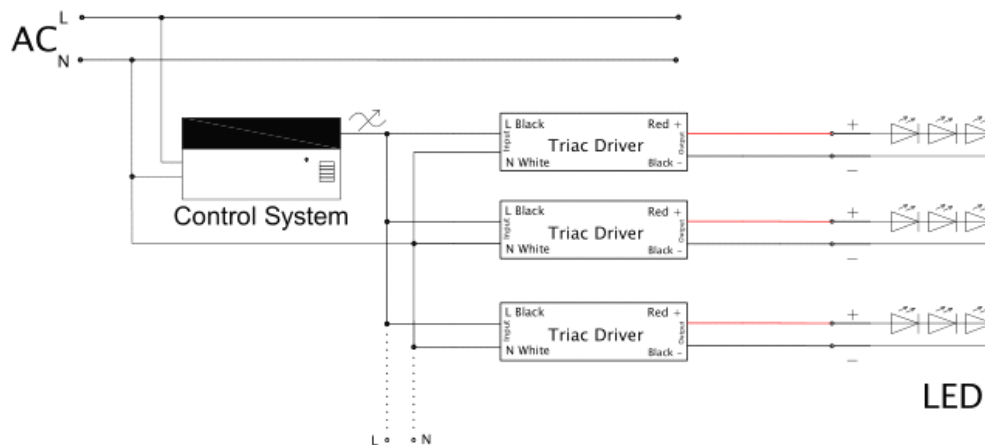
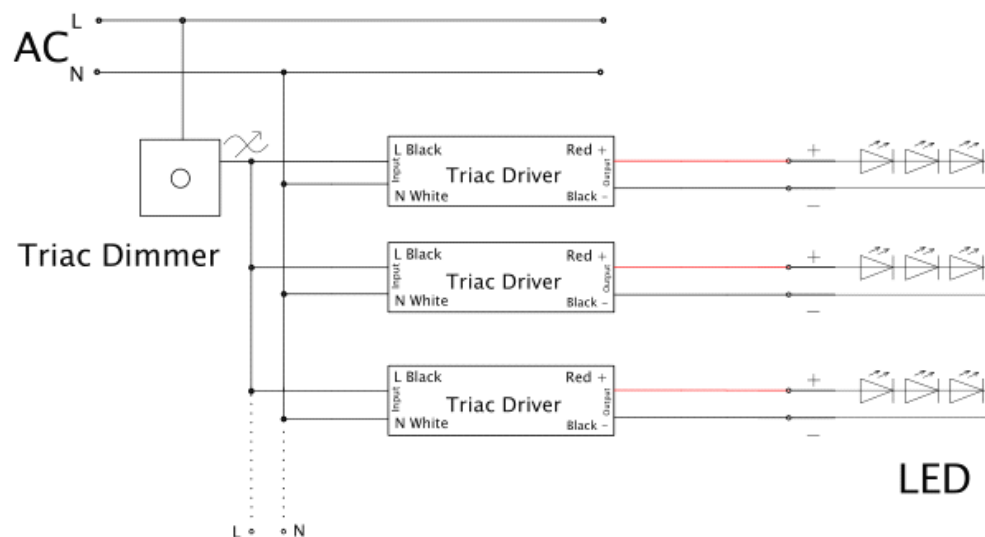
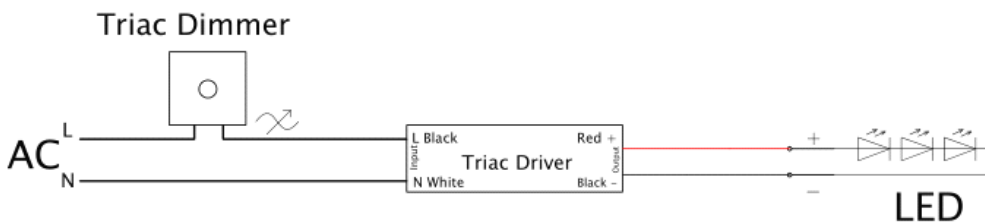
- The Pulse-Width Modulation (PWM) of output voltage can be adjusted through input terminal of the AC phase line (L) by connecting a phase/triac dimmer.
- Usually matching with forward phase, Leading edge, magnetic low voltage, triac dimmers or reverse phase, trailing edge, electric low voltage dimmers.
- Please try to use dimmer with power at least 1.5 times as the output power of the driver.

Project name

Type

LW-DIM-TRC-0-10V-100~277VAC-CV-24V-192W-IP67-JBX

Connection Diagram



Instructions

1. This driver should be installed by a qualified professional.
2. Please make sure the driver is installed with adequate ventilation around it to allow for heat dissipation.
3. Ensure that wiring is correct before testing in order to avoid light and power supply damage.
4. If driver cannot work properly, do not attempt to fix it manually.