

Features

- Constant Voltage Output, multi-channel for Class 2
- UL, cULus Listed, Class2 unit, Type HL rated, FCC
- Universal AC input: 100-277VAC
- Built-in active Power Factor Correction
- Up to 0.99 Power Factor Capacity
- Up to 91% Efficiency
- 10-100% Load Capacity
- Protected from Short Circuits, Overload and Overheat
- No PWM influence on Colour Index
- IP67 Protection for Dry, Damp and Wet locations
- Flicker-free
- Dimming functions available:
 - 0-10V Dimming:
 - 0-10V Potentiometer
 - 1-10V 10V PWM, 4-in-1
 - Phase Dimming:
 - Forward phase/Leading edge
 - Reverse phase/Trailing edge
 - Triac Dimmer
- 0 to 100% Dimming Range
- Suitable for LED lighting
- Cooling by free air convection



Specifications

OUTPUT		INPUT	
DC Voltage	24V	Voltage Range	100-277VAC
Rated Current	3 x 4A	Frequency Range	47-63Hz
Rated Power	288W (3 x 96W)	Power Factor (Typ.) @Full Load	0.99 @120VAC 0.95 @277VAC
Voltage Tolerance	±0.5V	THD (Typ.) @Full Load	< 20%
Voltage Regulation	±0.5%	Efficiency (Typ.) @Full Load	87% @120VAC 91% @277VAC
Load Regulation	±1%	AC Current (Max.)	3.4A @100VAC
		Inrush Current (Typ.)	35A, 50%, 960µs @120VAC 43A, 50%, 1ms @277VAC
		Leakage Current	<0.5mA

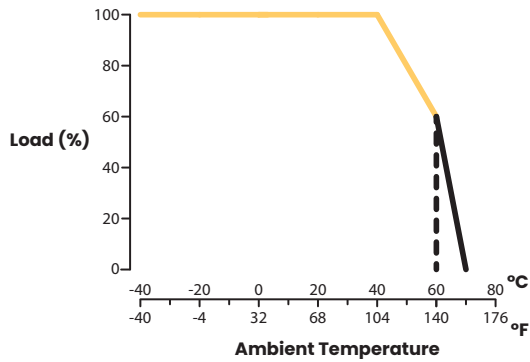
PROTECTION	
Short Circuit	Output Voltage shutdown. After faulty condition is corrected, turn power back on manually.
Overload	@ ≤120% : Output Voltage shutdown. After faulty condition is corrected, turn power back on manually.
Overheat	@ 100°C ±10°C / @ 212°F ±18°F : Output Voltage shutdown. Once cooled down, driver recovers automatically.

ENVIRONMENT	
Working Temperature	-40°C ~ +60°C / -40°F ~ 140°F (See Derating Curve below)
Working Humidity	20% ~ 90% Relative Humidity, Non-Condensing
Storage Temperature & Humidity	-40°C ~ +80°C / -40°F ~ 176°F 10% ~ 95% Relative Humidity
Temperature Coefficient	±0.03%/°C (0°C ~ 50°C) / ±0.054%/°F (32°F ~ 122°F)
Vibrations	10 ~ 500Hz, 5G 10min. / 1 cycle, 60 min. period each. / Along X, Y and Z axis

SAFETY & ELECTROMAGNETIC COMPATIBILITY (EMC)		OTHERS	
Safety Standards	UL8750 + UL1310	Net Weight	2.5 Kg
Withstand Voltage	Input to Output: 1.88KVAC	Dimensions (L x W x H)	301 x 110 x 45 mm 11.85 x 4.33 x 1.77 in
Isolation Resistance	Input to Output: 100MΩ / 500VDC / 25°C (77°F) / 70% Relative Humidity		
EMC Emission	FCC 47 CFR Part 15, Subpart B		

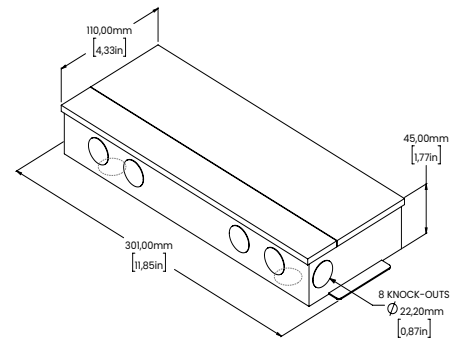
i Unless mentioned otherwise, all specifications are measured at 120VAC input, rated load and 25°C (77°F) ambient temperature. Reduce input voltage load to extend the driver's life.

Derating Curve



To extend driver's life, derate according to the ambient temperature.

Dimensions

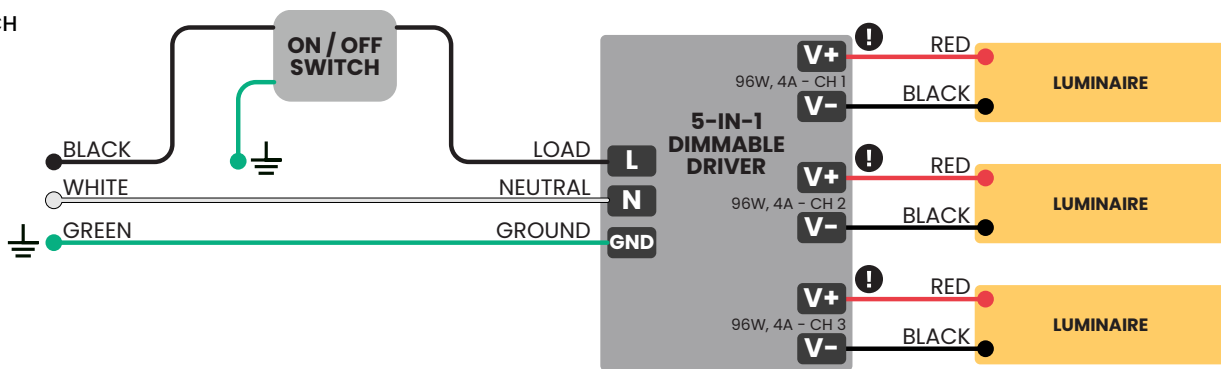


301 x 110 x 45mm
 11.85 x 4.33 x 1.77"

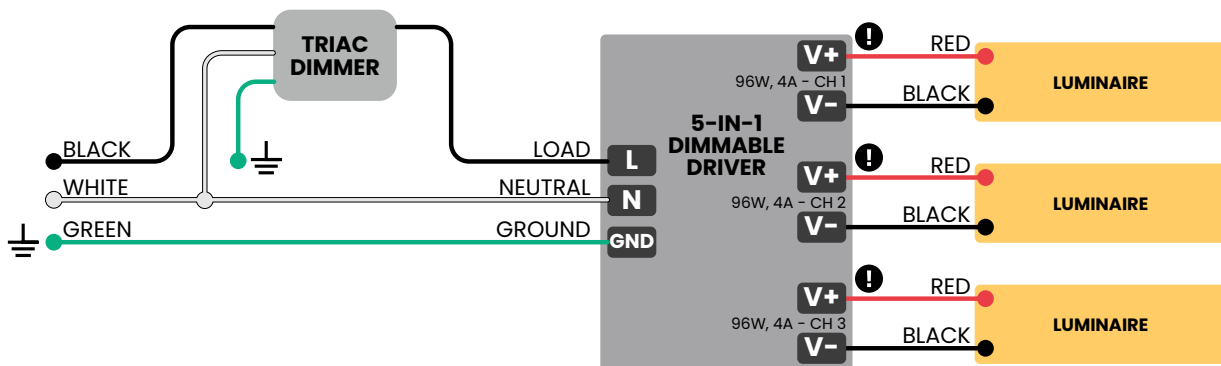
Connection Diagrams

1. This Driver should be installed by a Qualified professional.
2. Make sure the Driver is installed with adequate ventilation to allow heat dissipation.
3. Make sure the wiring is correct before testing to avoid Luminaire and Power supply damage.
4. **DO NOT ATTEMPT TO REPAIR THE DRIVER.**

ON/OFF SWITCH SINGLE DRIVER



TRIAC DIMMER SINGLE DRIVER

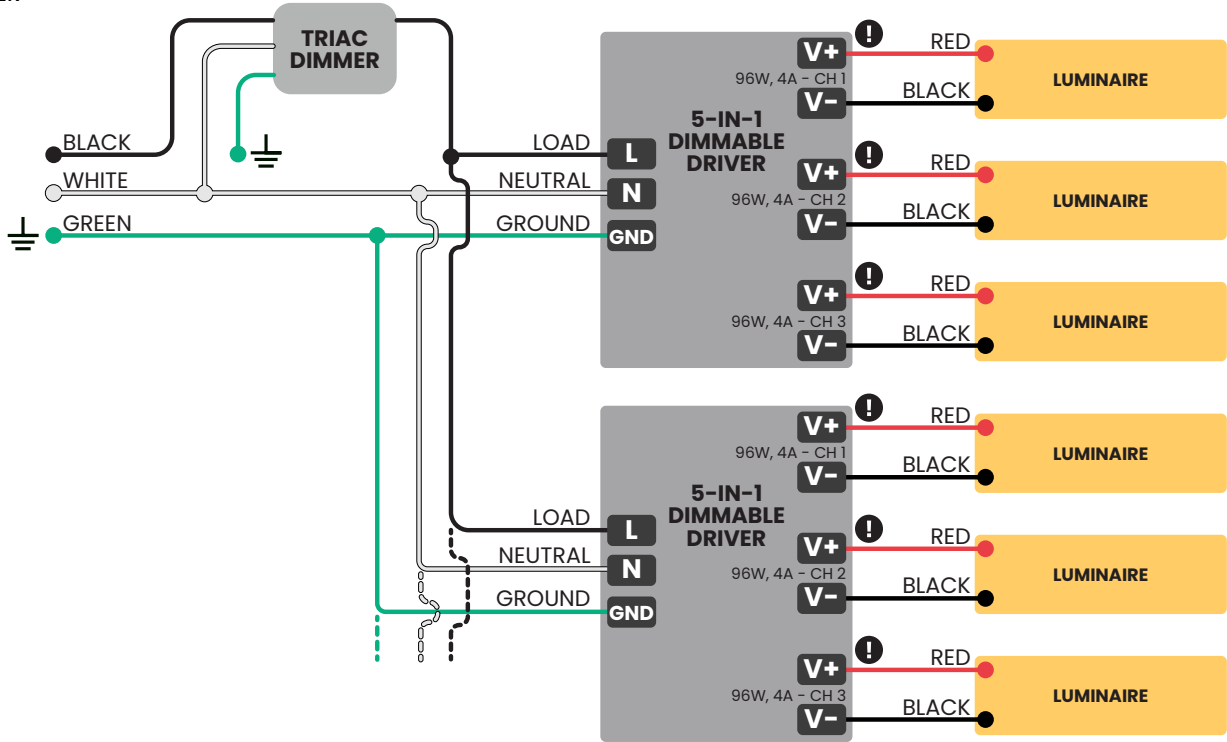


! Lumen Warm recommends **NOT TO EXCEED 80%** of the driver's load capacity for longer durability.

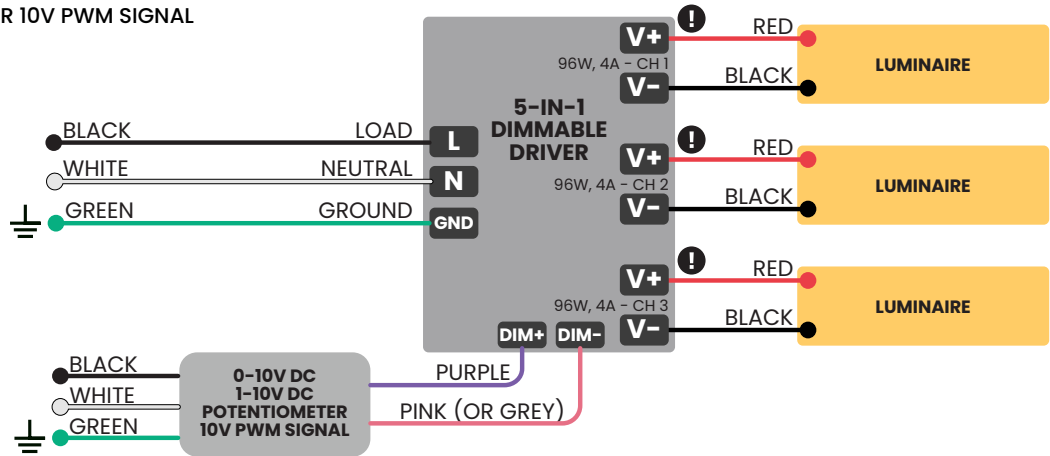
i Lumen Warm recommends matching wire colours to corresponding LED terminals to prevent programming issues.

Connection Diagrams (Cont.)

TRIAC DIMMER (SUITE)
 MULTIPLE DRIVER



0-10V, 1-10V, POTENTIOMETER OR 10V PWM SIGNAL
 SINGLE DRIVER

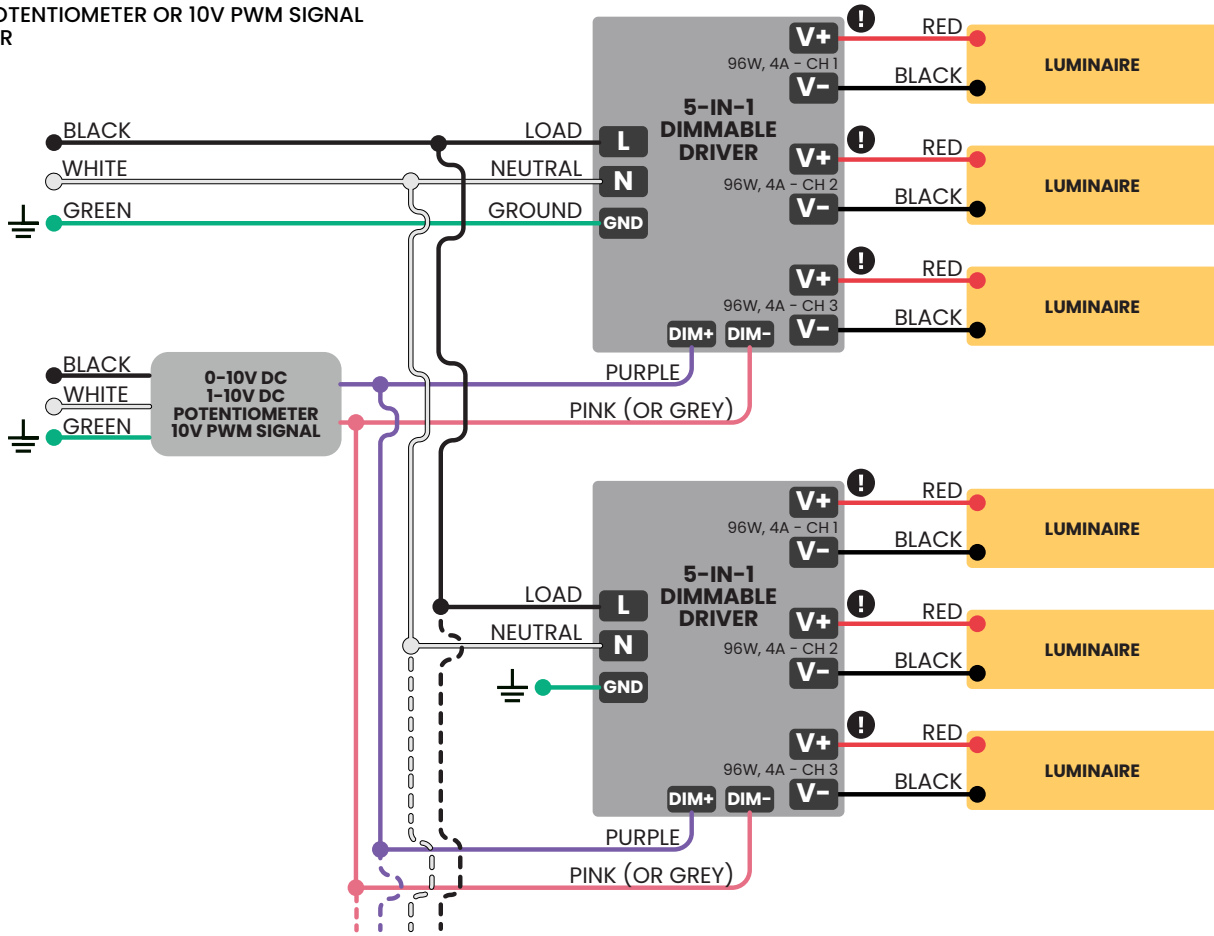


! Lumen Warm recommends **NOT TO EXCEED 80%** of the driver's load capacity for longer durability.

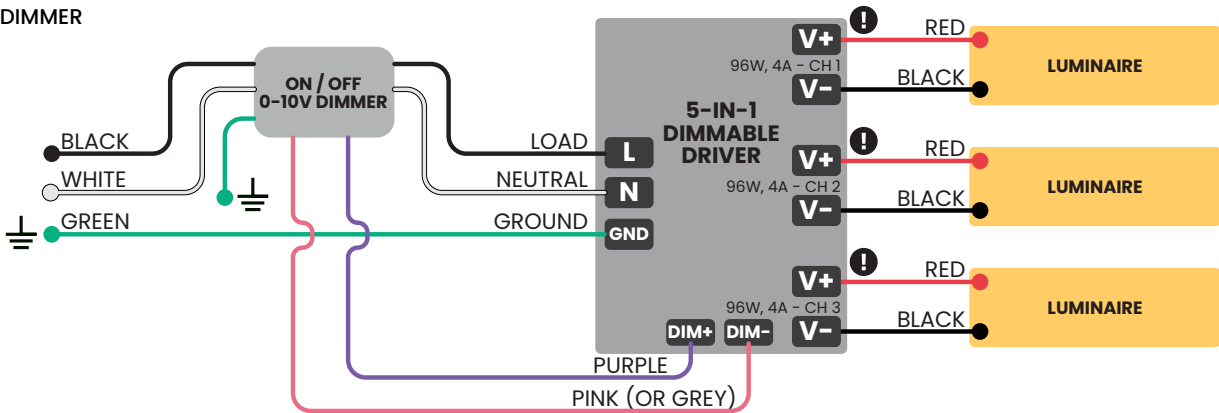
i Lumen Warm recommends matching wire colours to corresponding LED terminals to prevent programming issues.

Connection Diagrams (Cont.)

0-10V, 1-10V, POTENTIOMETER OR 10V PWM SIGNAL
MULTIPLE DRIVER



ON/OFF 0-10V DIMMER
SINGLE DRIVER

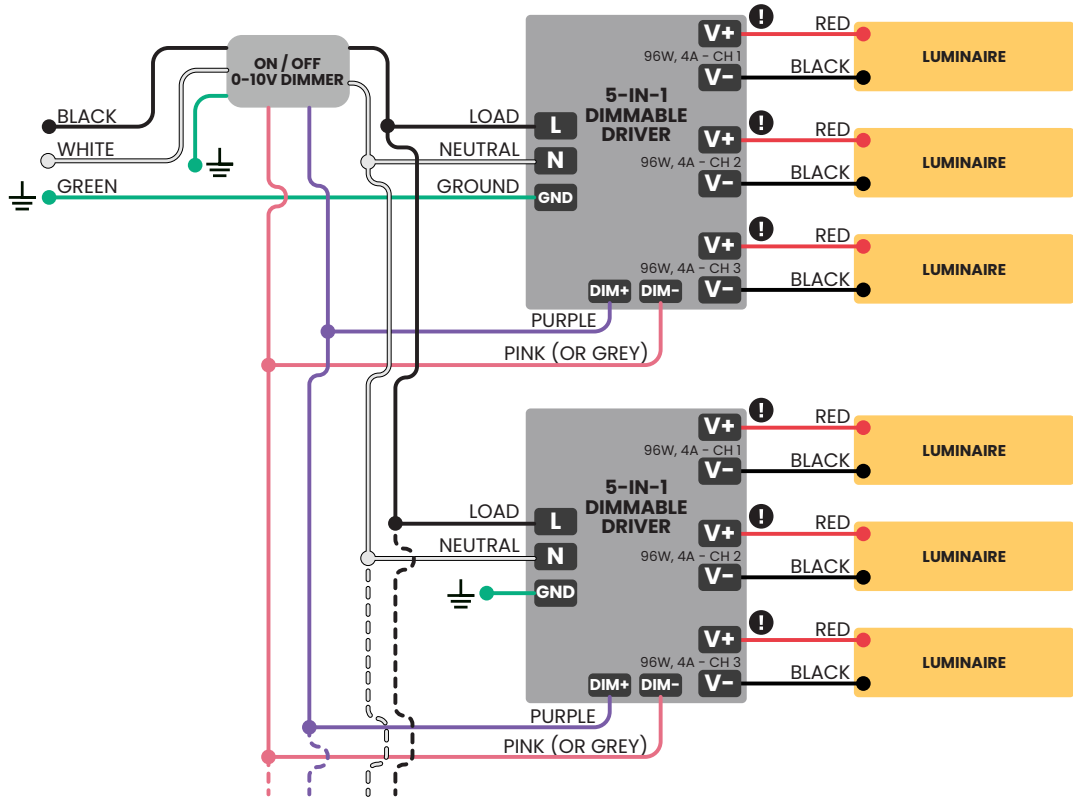


! Lumen Warm recommends **NOT TO EXCEED 80%** of the driver's load capacity for longer durability.

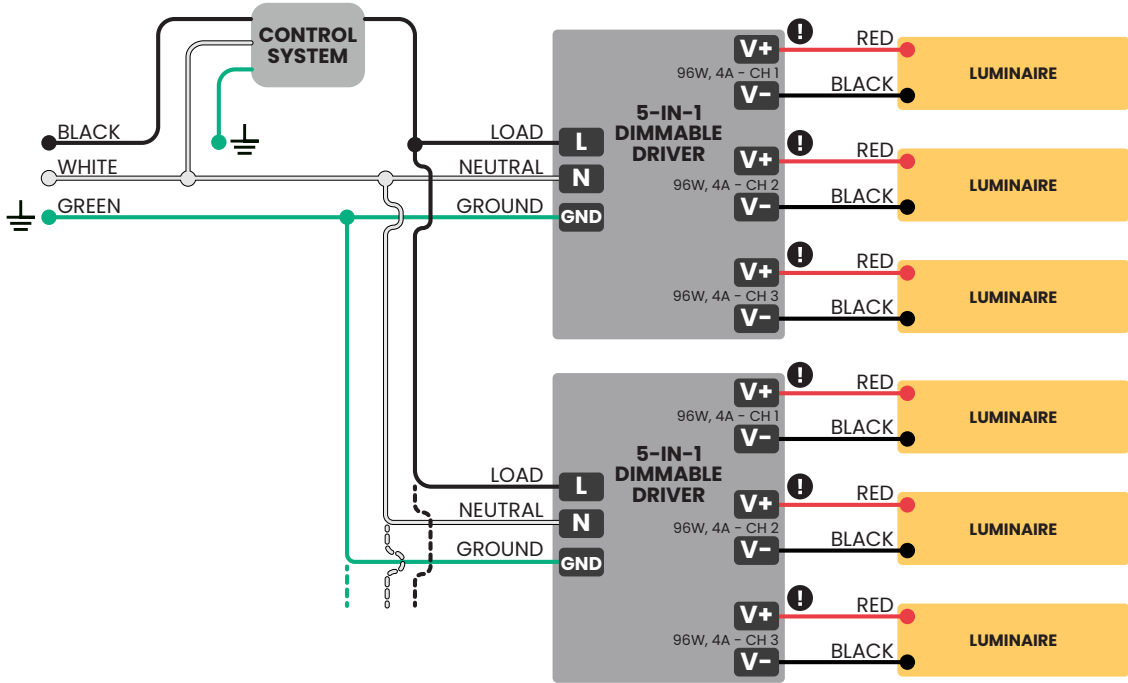
i Lumen Warm recommends matching wire colours to corresponding LED terminals to prevent programming issues.

Connection Diagrams (Cont.)

**ON/OFF 0-10V DIMMER
 MULTIPLE DRIVER**



**CONTROL SYSTEM
 MULTIPLE DRIVER**



! Lumen Warm recommends **NOT TO EXCEED 80%** of the driver's load capacity for longer durability.

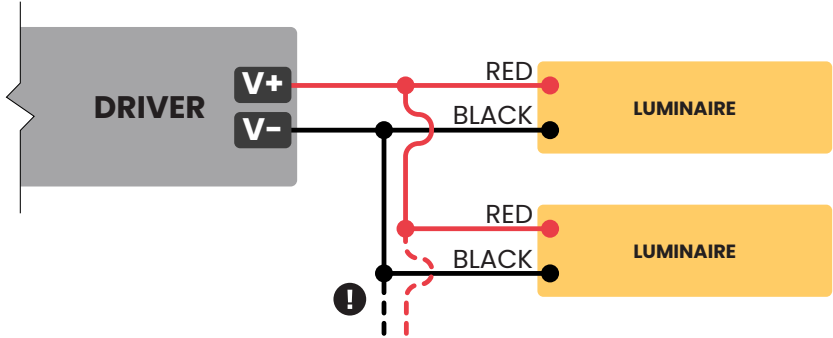
i Lumen Warm recommends matching wire colours to corresponding LED terminals to prevent programming issues.

Multiple Luminaire Wiring Methods

IN PARALLEL, DAISY CHAIN METHOD



IN PARALLEL, PARALLEL STANDARD METHOD



⚠ Lumen Warm recommends **NOT TO EXCEED 80%** of the driver's load capacity for longer durability.

ⓘ Both connection methods can be combined if applicable.

ⓘ This is a simplified diagram. Use for reference only.