

Project name

Type

**LW-DIM-TRC-0-10V-100~277VAC-CV-24V-96W-IP67-JBX**

## Features

- Output constant voltage
- UL, cUL Listed, Class 2 unit, Type HL rated, FCC
- Universal AC input: 100-277VAC
- Built-in active PFC function
- Power Factor: up to 0.98
- High efficiency: up to 86%
- Load: 10-100%
- Protection: Short Circuit / Over Loading / Over Temperature
- PWM output, does not change the colour index
- Full protection metal case, for dry, damp, wet location
- Flicker-free
- Dimming function:
  - 0-10V Dimming: 0-10V / 1-10V / Potentiometer / 10V PWM 4 in 1
- Phase dimming: Works with Forward phase/Leading edge, MLV and Reverse phase/Trailing edge, ELV, Triac dimmers
- Dimming range: 0-100%
- Suitable for LED lighting and moving sign applications

## Specification

<b>Output</b>	DC Voltage	24V
	Rated Current	4A
	Rated Power	96W
	Voltage Tolerance	±0.5V
	Voltage Regulation	±0.5%
	Load Regulation	±1%
<b>Input</b>	Voltage Range	100-277VAC
	Frequency Range	47-63Hz
	Power Factor (Typ.) @Full Load	0.98 @120VAC 0.95 @277VAC
	THD (Typ.) @Full Load	<20%
	Efficiency (Typ.) @Full Load	83% @120VAC 86% @277VAC
	AC Current (Max.)	1.3A @100VAC
	Inrush Current (Typ.)	20A, 50%, 1.6ms
	Leakage Current	<0.50mA
<b>Protection</b>	Short Circuit	Shut down O/P voltage, re-power on to recover after fault condition is removed
	Over Loading	≤120% constant current limiting, auto-recovery
	Over Temperature	100°C ±10°C shut down O/P voltage, automatically recovers after cooling
<b>Environment</b>	Working Temperature	-40°C ~ +60°C
	Working Humidity	20% ~ 90%RH, non-condensing
	Storage Temperature & Humidity	-40° ~ +80°C 10% ~ 95%RH
	Temperature Coefficient	±0.03%/°C (0°C ~ 50°C)
	Vibration	10 ~ 500Hz, 5G 10min./1 cycle, period for 60min. each along X, Y, Z axes
<b>Safety &amp; EMC</b>	Safety Standards	UL8750
	Withstand Voltage	I/P-O/P: 1.88KVAC
	Isolation Resistance	I/P-O/P: 100MΩ 500VDC 25°C 70%RH
	EMC Emission	FCC 47 CRF Part 15, Subpart B
<b>Others</b>	Net Weight	1.3kg
	Dimensions	220 x 94.5 x 40mm   8.66 x 3.72 x 1.57in (L x W x H)

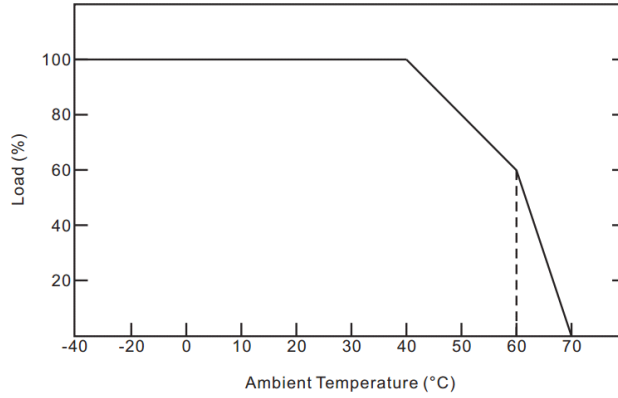
All parameters if NOT specified otherwise are measured at 120VAC input, rated load and 25°C ambient temperature.  
To extend the driver's using life, please reduce the loading at lower input voltage.

**Project name**

**Type**

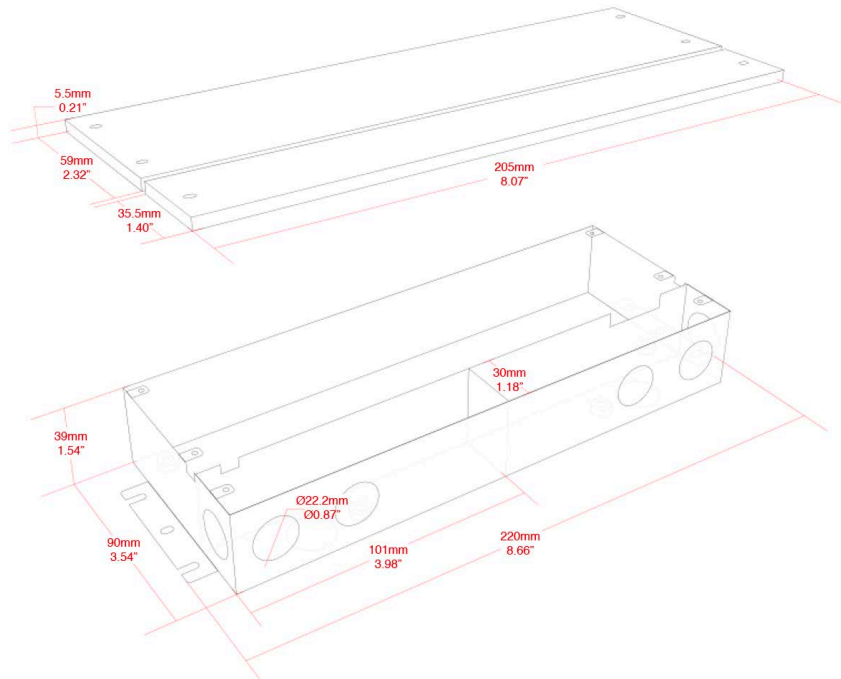
# LW-DIM-TRC-0-10V-100~277VAC-CV-24V-96W-IP67-JBX

## Derating Curve



To extend their life, please refer to the Derating Curve and derate according to the temperature

## Dimensions



- Input Wire Black and White to be connected to AC L and N, Green wire is ground wire and goes ground.
- Output wire Red to LED Positive side (+), Black to LED Negative side (-).
- Dimming cable DIM (+) Purple to 0/1-10V dimmer signal (+), DIM (-) Grey to 0/1-10V dimmer signal (-).
- Please make sure these are connected correctly otherwise product will not function properly and could be damaged.

**Project name**

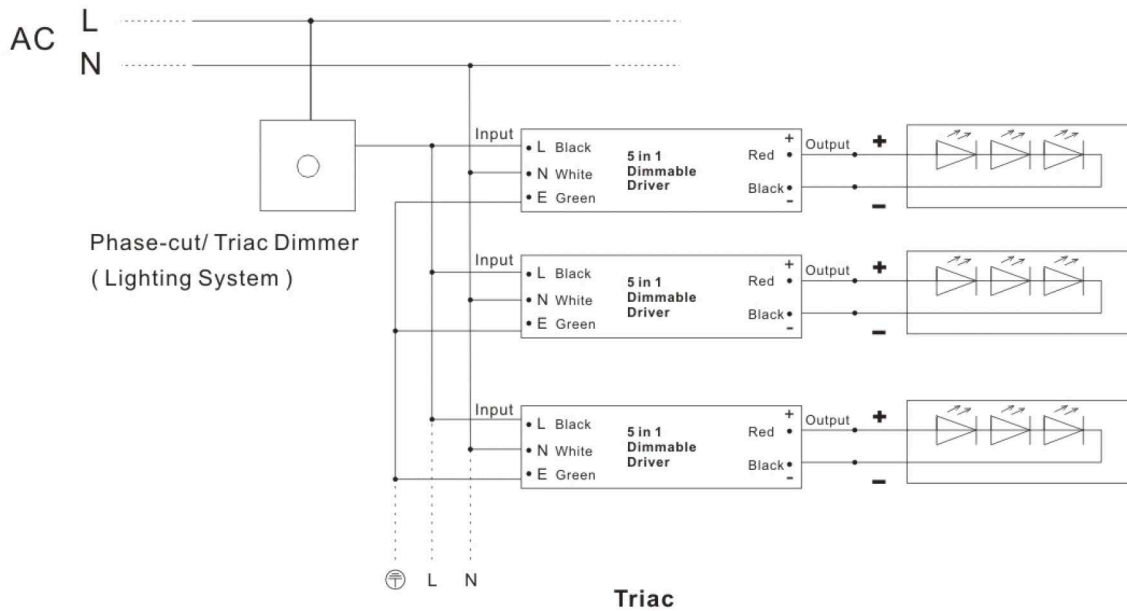
**Type**

# LW-DIM-TRC-0-10V-100~277VAC-CV-24V-96W-IP67-JBX

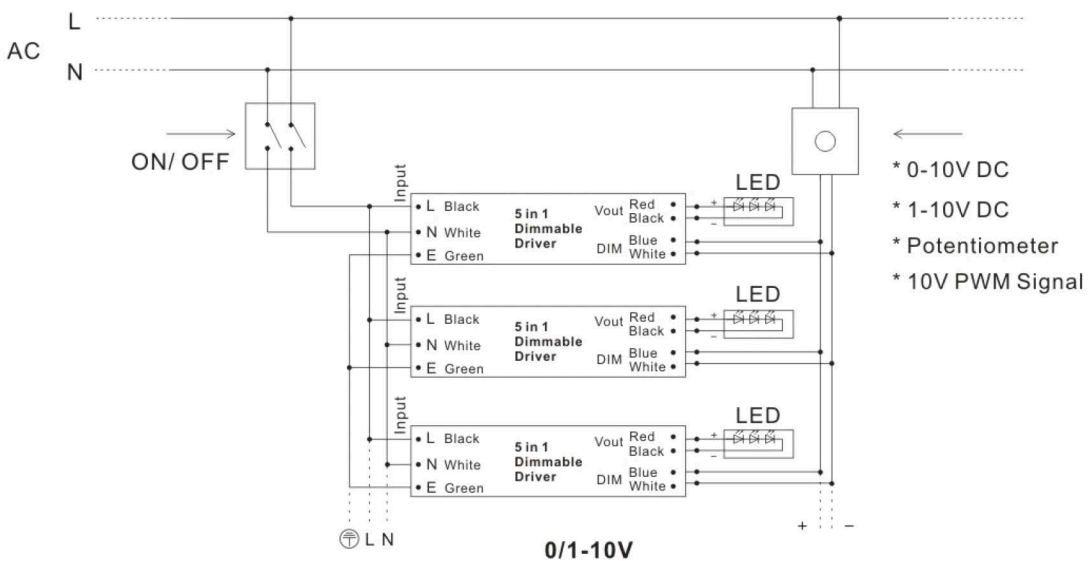
## Connecting Diagram

### Using Triac/Phase cut dimming

1. The Pulse-Width Modulation (PWM) of output voltage can be adjusted through input terminal of the AC phase line (L) by connecting a phase/Triac dimmer of lighting system.
2. Match with leading edge and trailing edge Triac dimmer or lighting system.
3. Please try to use dimmers with power at least 1.5 times the output power of the driver.



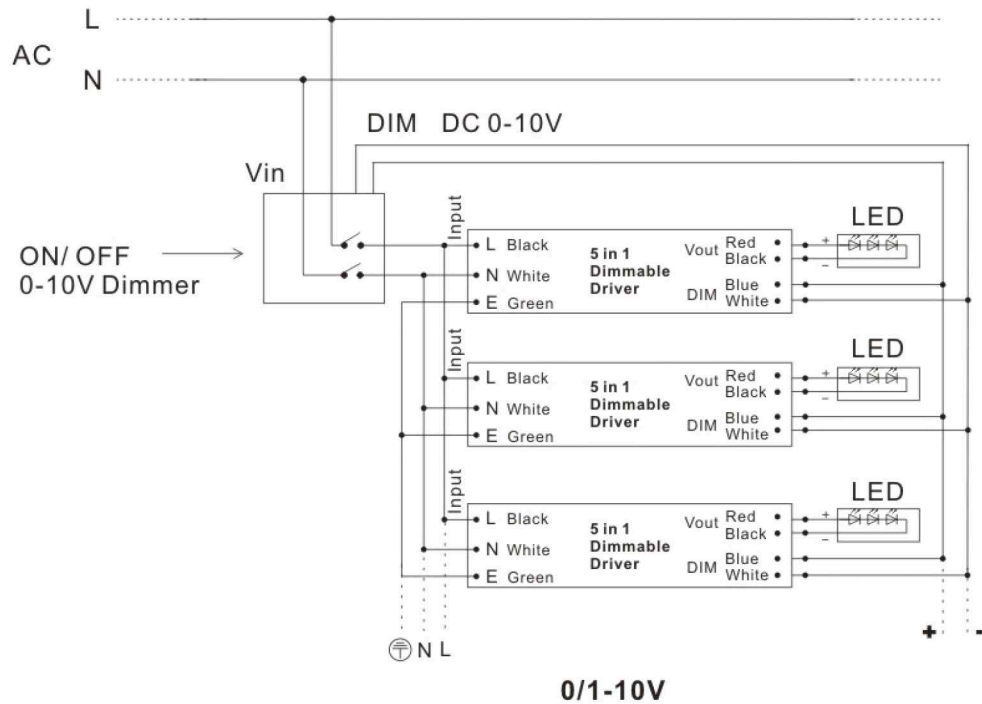
### Using 0-10V/1-10V dimming



**Project name**

**Type**

# LW-DIM-TRC-0-10V-100~277VAC-CV-24V-96W-IP67-JBX



## Instructions

1. This driver should be installed by a qualified professional.
2. Please make sure the driver is installed with adequate ventilation around it to allow for heat dissipation.
3. Ensure that wiring is correct before testing in order to avoid light and power supply damage.
4. If driver cannot work properly, do not attempt to repair it.