

Project name

Type

# LW-DIM-TRC-120VAC-CV-24V-24W-IP44-JBX



## Features

- Input range from 108 to 132VAC
- Constant Voltage design (CV mode)
- For Forward phase, Magnetic low voltage and Triac dimmers
- Fully potted suitable for dry and damp locations
- Protection: Short Circuit / Over Loading / Over Temperature / Over Current



## Specification

<b>Output</b>	DC Voltage	24V
	Rated Current	0 ~ 1000mA
	Rated Power	24W
	Dimming Range	5% - 100%
	Voltage Tolerance	±5%
<b>Input</b>	Voltage Range	108-132VAC
	Frequency Range	50-60Hz
	Power Factor (Typ.) @Full Load	>0.5 @120VAC
	Efficiency (Typ.) @Full Load	>78%
	AC Current (Max.)	0.4A @120VAC
	Inrush Current (Typ.)	≤30A @120VAC
	Leakage Current	<1mA
<b>Protection</b>	Short Circuit	Hiccup mode, recovers automatically after fault condition is removed
	Over Voltage	105% - 120% output voltage limiting, auto-recovery
	Over Current	110% - 130% constant current limiting, auto-recovery
	Over Temperature	110°C - 120°C temperature limiting, auto-recovery
<b>Environment</b>	Working Temperature	-10° ~ +50°C
	Working Humidity	20% ~ 90%RH, non-condensing
	Storage Temperature & Humidity	-20°C ~ +80°C 20% ~ 90%RH
<b>Safety &amp; EMC</b>	Safety Standards	UL8750 + UL1310
	Withstand Voltage	I/P-O/P: 1.25KVAC
	Isolation Resistance	I/P-O/P: 100MΩ 500VDC 25°C
	EMC Standards	FCC Part 15, Subpart B
<b>Others</b>	Net Weight	0.16kg
	Dimensions	88.5 x 41.5 x 30.5mm   3.48 x 1.63 x 1.20in (L x W x H)

All parameters if NOT specified otherwise are measured at 120VAC input, rated load and 25°C ambient temperature. To extend the driver's using life, please reduce the loading at lower input voltage.

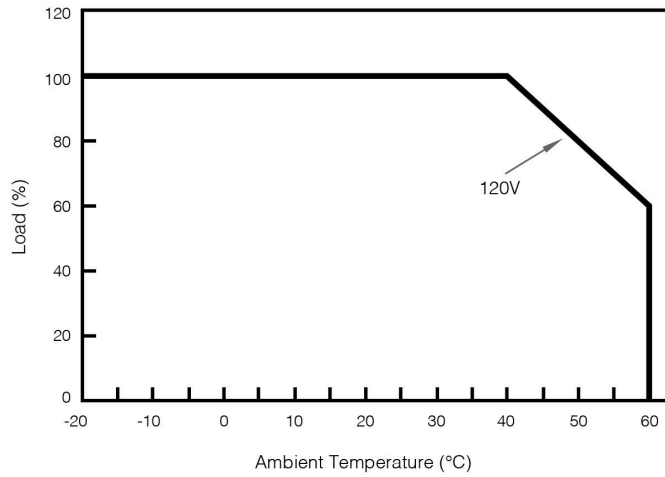
**Project name**

**Type**

**QTY**

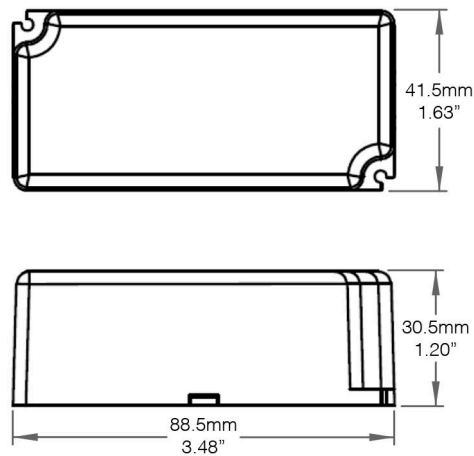
# LW-DIM-TRC-120VAC-CV-24V-24W-IP44-JBX

## Derating Curve



To extend their life, please refer to the Derating Curve and derate according to the temperature

## Dimensions



## Connecting Diagram

