

Project name

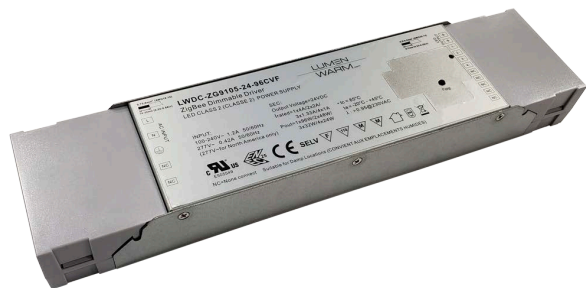
Type

QTY

LWDC-ZG9105-24-96CVF-CCT

Features

- Dimmable LED driver with metal case
- Four channels 24VDC constant voltage output
- Class 2 power supply, fully isolated metal case
- Built-in two-stage active PFC function
- Power factor: up to 0.98
- High efficiency: up to 91%
- Low standby power <1W
- Compliant with Safety Extra Low Voltage standard
- Protection: Over Load / Short Circuit / Over Temperature
- Enables to control On/Off, light intensity and RGB colour, W channel can only be controlled through colour temperature control command
- Colour temperature control will mix RGB channels as 1 channel white and then make colour tuning with the fourth channel white
- Can directly pair to a compatible Zigbee remote via Touchlink
- Supports Zigbee green power and can bin max. 20 Zigbee green power remotes
- Compatible with universal Zigbee coordinator or gateway products
- Compatible with universal RGB Zigbee remotes
- IP20 rating, suitable for indoor LED lighting applications



Specification

Output	DC Voltage	24V
	Rated Current	Max. 4A, all channels combined
	Rated Power	96W
	Voltage Tolerance	±1%
	LED Channel	4
Input	Voltage Range	100-277VAC
	Frequency Range	50-60Hz
	Power Factor (Typ.) @Full Load	>0.98 @230VAC
	THD (Typ.) @Full Load	≤15% @230VAC
	Efficiency (Typ.) @Full Load	91% @230VAC
	AC Current (Typ.)	1.2A @100VAC 0.5A @230VAC 0.5A @277VAC
	Inrush Current (Typ.)	Cold Start: Max. 50A @230VAC
Leakage Current	<0.5mA @230VAC	
Protection	Short Circuit	Yes, recovers automatically after fault condition is removed
	Over Current	Yes, recovers automatically after fault condition is removed
	Over Temperature	Yes, recovers automatically after fault condition is removed
Environment	Working Temperature	-25°C ~ +45°C
	Working Humidity	10% ~ 95%RH, non-condensing
	Storage Temperature & Humidity	-40°C ~ +80°C 10% ~ 95%RH
Safety & EMC	Safety Standards	UL8750, CAN/CSA C22.2 No. 250.13-14, ENEC EN61347-1, EN61347-2-13 approved
	Withstand Voltage	I/P-O/P: 3.75KVAC
	Isolation Resistance	I/P-O/P: 100MΩ 500VDC 25°C 70%RH
	EMC Emission	EN55015, EN61000-3-2, EN61000-3-3
EMC Immunity	EN61547, EN61000-4-2, 3, 4, 5, 6, 8, 11, surge immunity Line-Line 1KV	
Others	Net Weight	0.80kg
	Dimensions	300 x 70 x 36mm 11.81 x 2.76 x 1.42in (L x W x H)

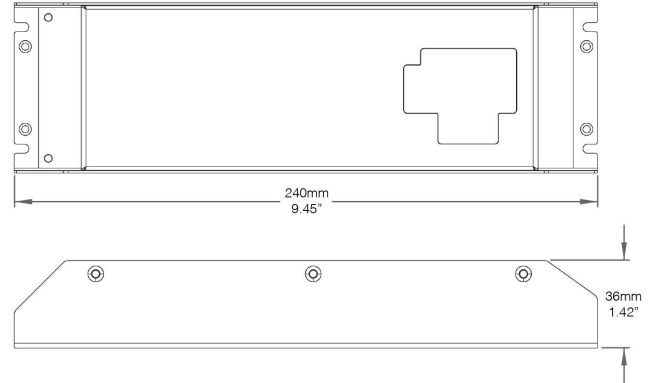
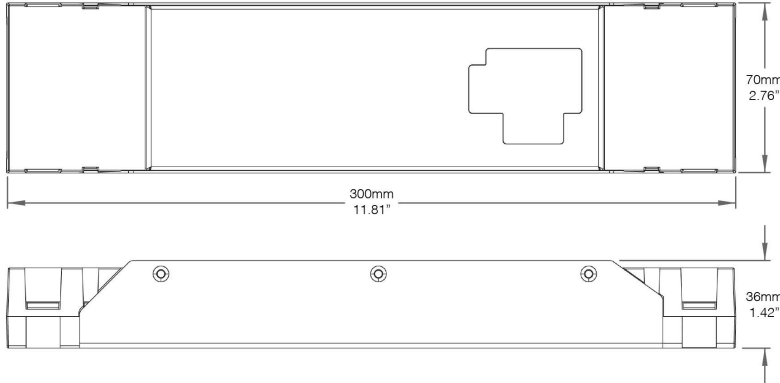
Project name

Type

QTY

LWDC-ZG9105-24-96CVF-CCT

Dimensions



Connecting Diagram

