

**Project name**

**Type**

**QTY**

# LWDC-2108-24-96CVF

## Features

- Dimmable LED driver with rectangle metal case
- Four channels 24VDC constant voltage output
- Class 2 power supply, fully isolated metal case
- Built-in two-stage active PFC function
- Power factor: up to 0.98
- High efficiency: up to 93%
- Low standby power <1W
- Built-in DMX dimming interface
- Enable to set DMX address, DMX channel quantity, PWM output resolution
- Enable to set PWM output frequency, GAMMA ray dimming curve value and DMX decoding mode
- DMX512(2008), DMX512-A and RDM V1.0 (E1.20 - 2006 ESTA Standard)
- Compliant with Safety Extra Low Voltage standard
- Protection: Over Load / Short Circuit / Over Temperature
- IP20 rating, suitable for indoor LED lighting applications



## Specification

<b>Output</b>	DC Voltage	24V
	Rated Current	Max. 4A, all channels combined
	Rated Power	96W
	Voltage Tolerance	±1%
	LED Channel	4
<b>Input</b>	Voltage Range	100-277VAC
	Frequency Range	50-60Hz
	Power Factor (Typ.) @Full Load	>0.95 @230VAC
	THD (Typ.) @Full Load	≤15% @230VAC
	Efficiency (Typ.) @Full Load	93% @230VAC
	AC Current (Typ.)	1.2A @100VAC    0.5A @230VAC    0.5A @277VAC
	Inrush Current (Typ.)	Cold Start: Max. 50A @230VAC
Leakage Current	<0.5mA @230VAC	
<b>Protection</b>	Short Circuit	Yes, recovers automatically after fault condition is removed
	Over Current	Yes, recovers automatically after fault condition is removed
	Over Temperature	Yes, recovers automatically after fault condition is removed
<b>Environment</b>	Working Temperature	-20°C ~ +45°C
	Working Humidity	10% ~ 95%RH, non-condensing
	Storage Temperature & Humidity	-40°C ~ +80°C    10% ~ 95%RH
<b>Safety &amp; EMC</b>	Safety Standards	UL8750, CAN/CSA C22.2 No. 250.13-14, ENEC EN61347-1, EN61347-2-13 approved
	Withstand Voltage	I/P-O/P: 3.75KVAC
	Isolation Resistance	I/P-O/P: 100MΩ    500VDC    25°C    70%RH
	EMC Immunity	EN61547, EN61000-4-2, 3, 4, 5, 6, 8, 11, surge immunity Line-Line 1KV
<b>Others</b>	Net Weight	0.81kg
	Dimensions	300 x 70 x 36mm   11.81 x 2.76 x 1.42in (L x W x H)

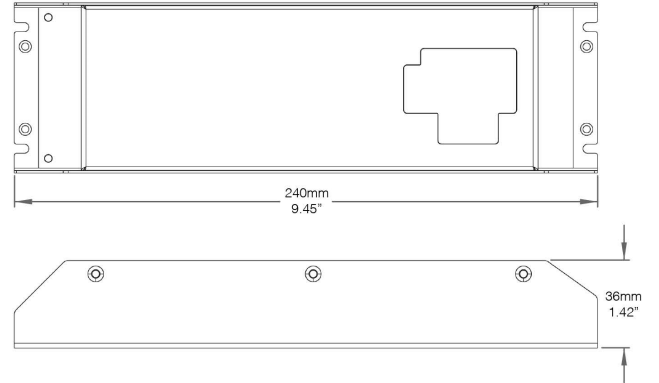
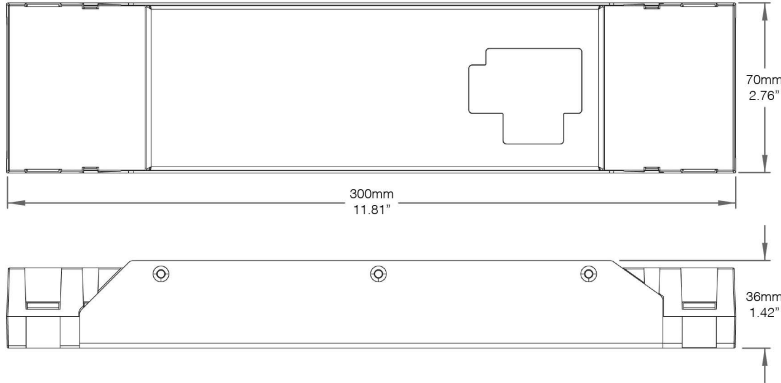
**Project name**

**Type**

**QTY**

# LWDC-2108-24-96CVF

## Dimensions



## Connecting Diagram