

PROJECT NAME

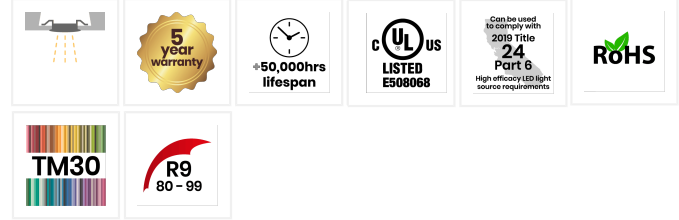
TYPE

RD QTY



# QUICKSHIP DESFIOLI 3IN ROUND

The Desfioli line offers a wide variety of options, both technically and visually, making it one of our most versatile luminaires.



<b>Colour Temperature</b>	3000K, 3500K
<b>CRI*</b>	96
<b>Lumen Output</b>	1000lm
<b>Lumen/Watt</b>	85lm/W
<b>Beam angle</b>	42°

\*Please note this information is based off a 4000K LED Source.

<b>Input Voltage</b>	100-277V
<b>Constant Current</b>	36V
<b>Amperage</b>	350mA
<b>Consumption</b>	12W
<b>Dimming Options</b>	0-10V and Triac
<b>Material</b>	Aluminum housing and trim, Polycarbonate beveled

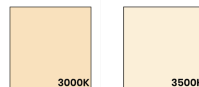
\*Please note this information is based off a 4000K LED Source.

## TRIM FINISH



Matte White

## COLOUR TEMPERATURE



3000K

3500K

PROJECT NAME

TYPE

QTY

# ORDERING CODES

## Desfioli 3in Round

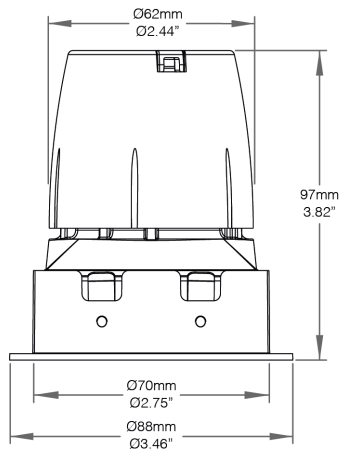
Product Code	Colour Temperature	Installation
Round trim, matte white finish, fixed, matte white round beveled, 42° optics, 12W, IP20, 0-10V/ELV Triac dimmable driver	30K / 35K	AC5 / MPHB / NA
QS-LWDE-3IN-RD-RT-MWH-NT-RB-MWH-42-30K-12W-IP20-AC5	3000K	New Construction IC: Airtight Chicago Plenum 4.75in
QS-LWDE-3IN-RD-RT-MWH-NT-RB-MWH-42-35K-12W-IP20-AC5	3500K	
QS-LWDE-3IN-RD-RT-MWH-NT-RB-MWH-42-30K-12W-IP20-MPHB	3000K	New Construction Non-IC: Mounting Plate With Hanger Bars
QS-LWDE-3IN-RD-RT-MWH-NT-RB-MWH-42-35K-12W-IP20-MPHB	3500K	
QS-LWDE-3IN-RD-RT-MWH-NT-RB-MWH-42-30K-12W-IP20-NA	3000K	Remodel: None
QS-LWDE-3IN-RD-RT-MWH-NT-RB-MWH-42-35K-12W-IP20-NA	3500K	

Maximum order size - **50pcs**

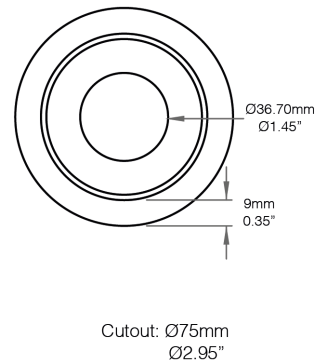
## Dimensions

### With Trim

Side View



Front View



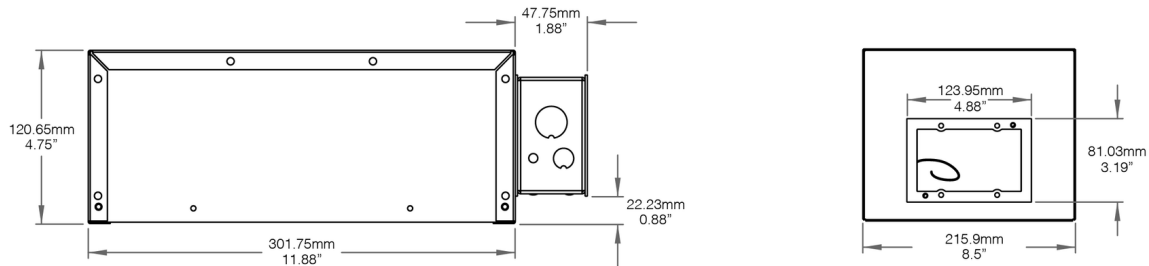
PROJECT NAME

TYPE

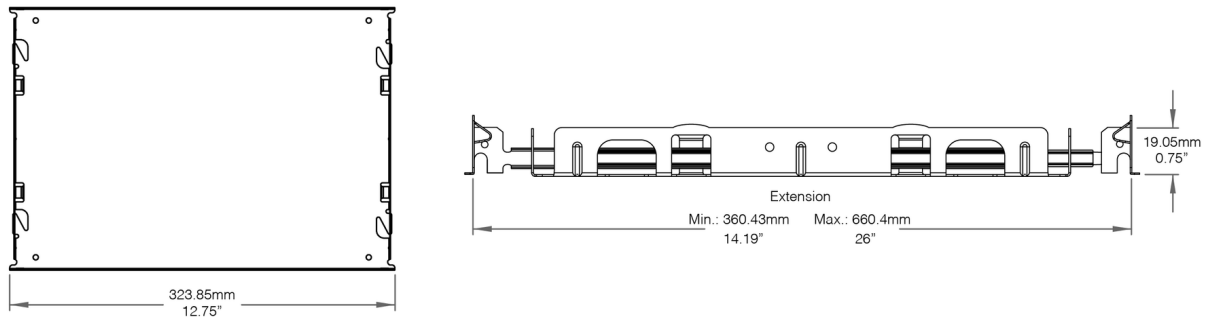
QTY

## Accessories

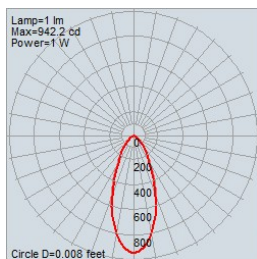
### Airtight Chicago Plenum 4.75in



### Mounting Plate with Hanger Bars



## Photometrics Data



42° - 4000K

PROJECT NAME

TYPE

QTY

## Features

- Output constant current
- Class 2 unit, FCC
- Universal AC input: 120-277VAC
- Power Factor: up to 0.9
- High efficiency: up to 90%
- Protection: Short Circuit / Over Loading / Over Temperature
- PWM output, does not change the colour index
- Dimming function:
  - 0-10V Dimming: Linear, non-linear, logarithmic
- Phase dimming: Programmable Forward phase, Reverse phase, programmable conduction angles with turn-on and turn-off for TRIAC & ELV
- Dimming range: 1-100%

Suitable for LED lighting and moving sign applications



## Specification

<b>Output</b>	DC Voltage Range	28-42V
	Rated Current	350mA
	Rated Power	30W
	Current Regulation	±2.5%
<b>Input</b>	Voltage Range	100-277VAC
	Frequency Range	50-60Hz
	Power Factor (Typ.) @Full Load	>0.9
	THD (Typ.) @Full Load	20%
	Efficiency (Typ.) @Full Load	Up to 90%
	AC Current (Max.)	0.5A
	Inrush Current (Typ.)	Meets NEMA-410 requirements
<b>Protection</b>	Leakage Current	0.3mA @120VAC 0.7mA @277VAC
	Short Circuit	Hiccup mode, recovers automatically after fault condition is removed
	Over Loading	100% - 130% Constant current limiting, auto-recovery
<b>Environment</b>	Over Temperature	Fold back mode, recovers automatically after temperature goes down
	Working Temperature	-10°C ~ +50°C
	Working Humidity	5% ~ 95%RH, non-condensing
<b>Safety &amp; EMC</b>	Storage Temperature	-40° ~ +85°C
	Safety Standards	UL8750, EN60068-2-27, EN60068-2-6 & EN60068-2-64
	Withstand Voltage	I/P-O/P: 1.55KVAC
	Isolation Resistance	0-10V circuit is isolated from the AC input and the main DC output
	EMI Conduction & Radiation	FCC CFR Title 47 Part 15 Class B at 120VAC and Class A at 277VAC
<b>Others</b>	EMS Immunity	Meets IEC61000-4-2,3,4,5,6,11 & ANSI/IEEE c62.41.1-2022 & c62-41.2-2022 category A
	Net Weight	0.12kg
	Dimensions	70 x 40 x 29.5mm   2.76 x 31.57 x 1.16in (L x W x H)

All parameters if NOT specified otherwise are measured at 120VAC input, rated load and 25°C ambient temperature. To extend the driver's using life, please reduce the loading at lower input voltage.