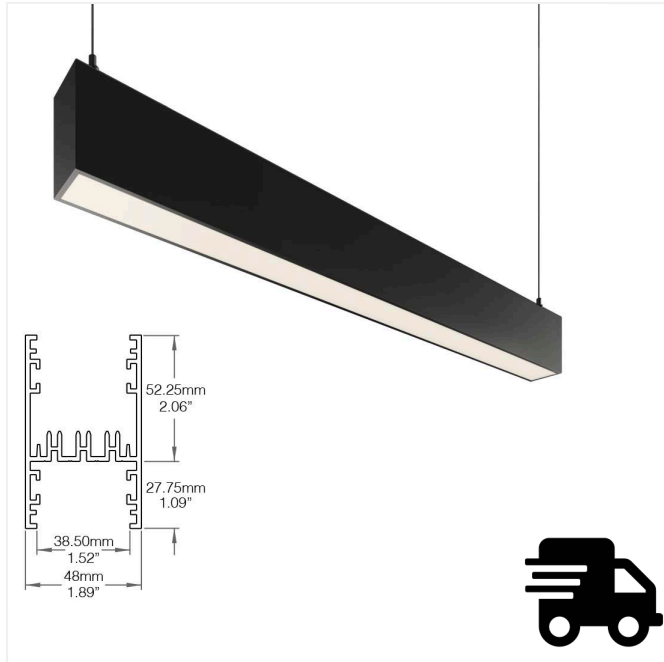


PROJECT NAME

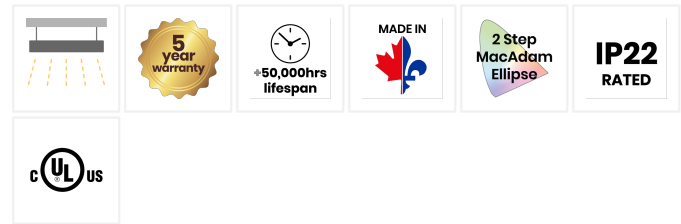
TYPE

QTY



QUICKSHIP EROS DIRECT SUSPENDED

The Eros conception allows you to create long linear runs to appropriately light up the space it is installed in. Custom lengths and patterns are also a possibility and with its 90° lit corners, darkness will be a thing of the past!



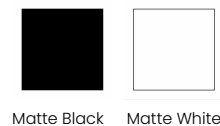
Colour Temperature	3000K, 3500K
CRI*	90
Lumen Output	600lm/ft
Lumen/Watt	Up to 145lm/W

Input Voltage	Integral Driver; 100~277VAC
Dimming Options	0-10V (Down to 1%)
Material	Aluminum profile

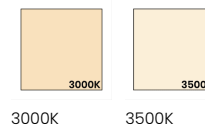
*Please note this information is based off a 4000K LED Source.

*Please note this information is based off a 4000K LED Source.

ALUMINUM PROFILE COLOUR



DIRECT COLOUR TEMPERATURE



PROJECT NAME

TYPE

QTY

ORDERING OPTIONS

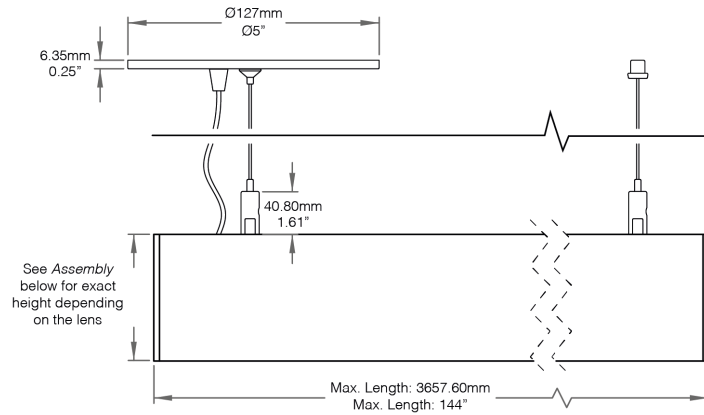
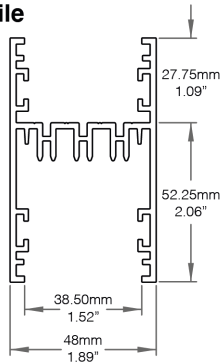
Eros Suspended

Product Code	Finish	Colour Temperature
4 feet length, direct white frosted lens, 600lm/ft direct lumen package, flat round canopy, decorative cable lead in, 9 feet suspension kit, integral driver ELV/TRC/0-10V dimmable (1%) included	MBK/MWH	30K / 35K
QS-LWERSD-SPD-48IN-MWH-DLFR-P600-30K-WHD-FRD-MWH-9SK	Matte White	3000K
QS-LWERSD-SPD-48IN-MWH-DLFR-P600-35K-WHD-FRD-MWH-9SK		3500K
QS-LWERSD-SPD-48IN-MBK-DLFR-P600-30K-BKD-FRD-MBK-9SK	Matte Black	3000K
QS-LWERSD-SPD-48IN-MBK-DLFR-P600-35K-BKD-FRD-MBK-9SK		3500K

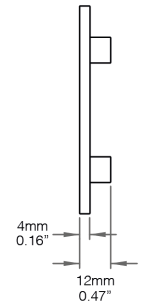
Maximum order size - **10pcs**

Dimensions

Profile

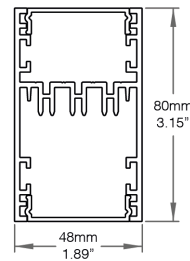


Endcaps



Assembly

Frosted Lens



PROJECT NAME

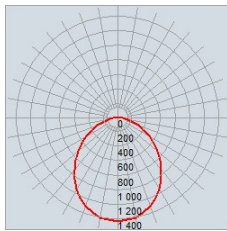
TYPE

QTY

Light Loss Factor per Colour Temperature

3500K	8%
3000K	17%

Photometrics Data



4ft - Direct Frosted Lens - 900lm/ft - 4000K

PROJECT NAME

TYPE

Features

- Output constant current
- Class2 unit, FCC
- Universal AC input: 120-277VAC
- Power Factor: up to 0.9
- High efficiency: up to 90%
- Protection: Short Circuit / Over Loading / Over Temperature
- PWM output, does not change the colour index
- Dimming function:
 - 0-10V Dimming: Linear, non-linear, logarithmic
- Phase dimming: Programmable Forward phase, Reverse phase, programmable conduction angles with turn-on and turn-off for TRIAC & ELV
- Dimming range: 1-100%

Suitable for LED lighting and moving sign applications



Specification

Output	DC Voltage Range	28 - 42V
	Rated Current	350 - 700mA
	Rated Power	30W
	Current Tolerance	±2.5%
Input	Voltage Range	120-277VAC
	Frequency Range	60Hz
	Power Factor (Typ.) @Full Load	>0.9
	Efficiency (Typ.)	90%
	AC Current (Max.)	0.28A @230VAC
	Inrush Current (Typ.)	>Meets NEMA-410 requirements
	Leakage Current	0.3mA @120VAC 0.6mA @230VAc 0.7mA @277VAC
Protection	Short Circuit	Hiccup mode, recovers automatically after fault condition is removed
	Over Current	100% - 120% Constant current limiting, auto-recovery
	Over Temperature	Shut down O/P voltage, recovers automatically after temperature goes down
Environment	Working Temperature	-10°C ~ +50°C
	Working Humidity	5% ~ 95%RH, non-condensing
	Storage Temperature & Humidity	-40°C ~ +85°C
Safety & EMC	Safety Standards	UUL8750, EN60068-2-27, EN60068-2-6 & EN60068-2-64
	Withstand Voltage	I/P-O/P: 4.4KVAC
	Isolation Resistance	0-10V circuit is isolated from the AC input and the main DC output
	EMI Conduction & Radiation	FCC CFR Title 47 Part 15 Class B at 120VAC and Class A at 277VAC
	EMS Immunity	Meets IEC61000-4-2,3,4,5,6,11 & ANSI/IEEE c62.41.1-2022 & c62-41.2-2022 category A
Connection	Input	18 AWG on all leads, 22 AWG on 0-10V dimming wires (203mm 8in)
	Output	18 AWG on all leads, 22 AWG on 0-10V dimming wires (203mm 8in)
Others	Net Weight	0.11kg
	Dimensions	98.5 x 26 x 21.85mm 3.88 x 1.02 x 0.86in (L x W x H)

All parameters if NOT specified otherwise are measured at 230VAC input, rated load and 25°C ambient temperature. To extend the driver's using life, please reduce the loading at lower input voltage.