

Venga Slim Trimless Perimeter Profile

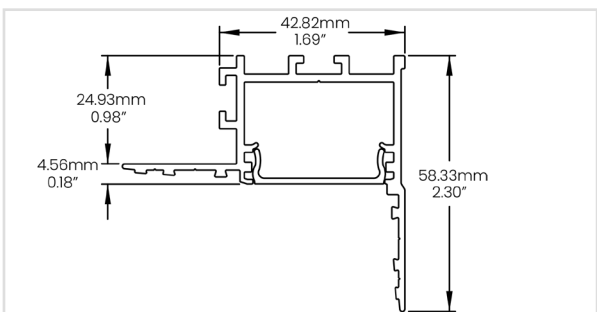
The Venga Series is a family of linear systems allowing for a direct or indirect, as well as a combination of both, lighting of any room. It is available in a variety of light intensity options as well as numerous applications including, but not limited to, surface or wall mounted



Highlights

Mounting	Recessed with Mud-In Flange
Material	Aluminum Extrusion (6063-T5)
Features	Discreet & optimal diffusion
Recommended for	General lighting & linear patterns

Dimensions



Aluminum Profile Colour



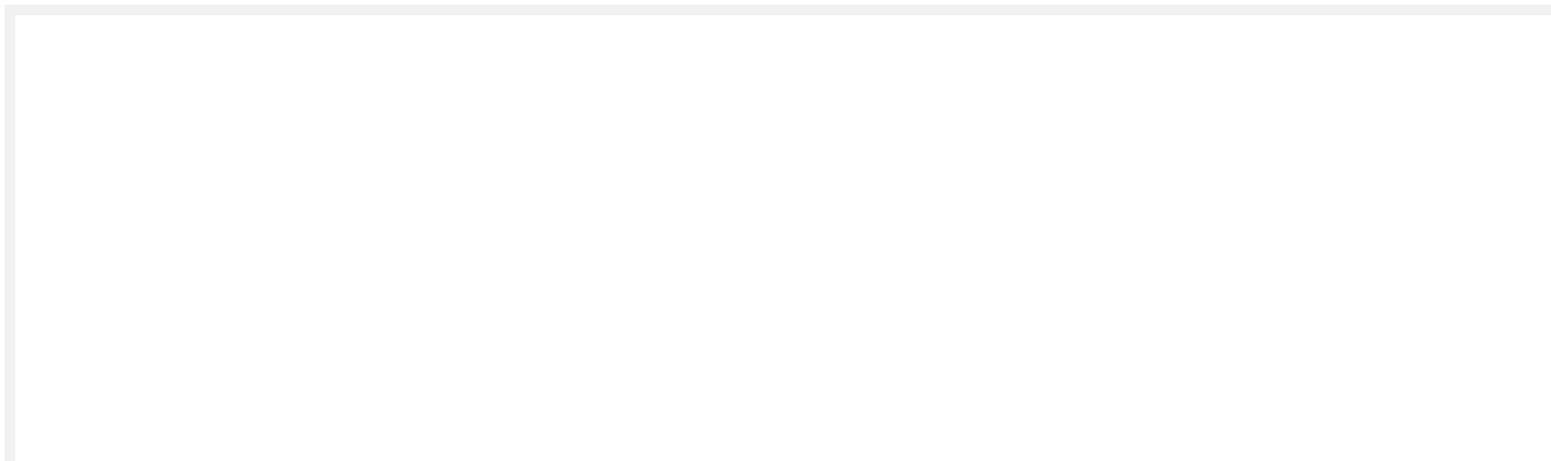
MF - Mill Finish

Ordering Guide

Ex : LWVGSMTLPR-FIE-48IN-MF-WFC

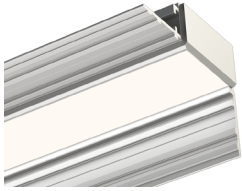
Product Code	Length	Aluminum Profile Colour	Lens Options
LWVGSMTLPR-FIE			
	48IN 48in 96IN 96in	MF Mill Finish	WFC White Frosted Clipped Lens NA None
Each profile is provided with a pair of endcaps including: 2 X Endcaps without Hole			Refer to page 2 for Lens Options

Notes



Technical Information

Lens Options



WFC
White Frosted Clipped Lens

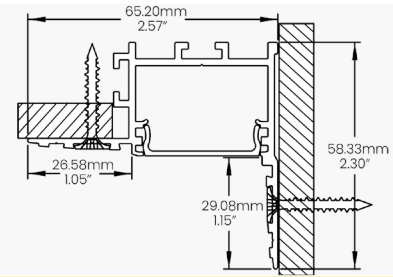
LED Visibility & Light Loss Factor



WFC
White Frosted Clipped Lens
Diffused
Light Loss: 35%

Installation Type

With Screws

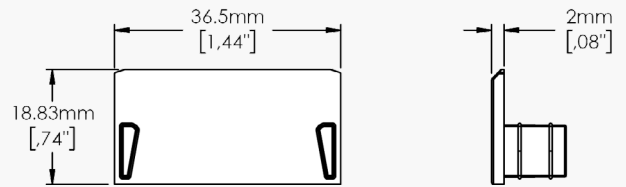


Details and Ordering

Mounting	No.8 Self-Drilling Screws (1in)
Quantity	Varies according to ordered length
Notes	Lumen Warm recommends spacing screws at most 12in apart

Endcaps

Without Hole



Details and Ordering

Code	ECP-P16-015-MWH
Material	ABS Plastic
Colour	MWH - Matte White

Available LED Strips

Static White (Click for linked document)	Lumen Output	Consumption
LWHPC120	120lm/ft - 393.6lm/m	0.91W/ft - 3W/m
LWHPC290	290lm/ft - 951.2lm/m	2.59W/ft - 8.5W/m
LWHPC420	420lm/ft - 1377.6lm/m	3.51W/ft - 11.52W/m
LWHPC700	700lm/ft - 2296lm/m	5.85W/ft - 19.2W/m
LWHP900	900lm/ft - 2952lm/m	6.59W/ft - 21.6W/m
LWHE1150	1150lm/ft - 3772lm/m	7.32W/ft - 24W/m
LWHE1400	1400lm/ft - 4592lm/m	8.78W/ft - 28.8W/m
Dim to Warm (Click for linked document)	Lumen Output	Consumption
LWD2W480	480lm/ft - 1574.4lm/m	5.27W/ft - 17.28W/m
Tunable White (Click for linked document)	Lumen Output	Consumption
LWTW220	220lm/ft - 721.6lm/m	3.05W/ft - 10W/m
LWTW300	300lm/ft - 984lm/m	4.57W/ft - 15W/m
RGBW (Click for linked document)	Lumen Output	Consumption
LWRGBW250	250lm/ft - 820lm/m	4.68W/ft - 15.36W/m